



VersatecBase

Commercial 1/2 to 6 Ton
Water Source/Geothermal Heat Pump



VERSATEC BASE

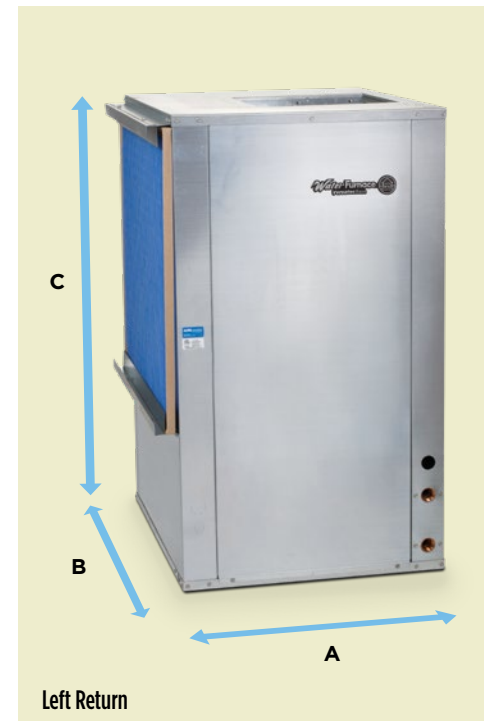
The Versatec Base provides a true value product to our commercial water source heat pump line. This product is engineered to offer high efficiency operation while maintaining a small cabinet footprint and an impressive list of value-added features. With its compact design and ability to perform optimally in both water loop and geothermal applications, the Versatec Base is an ideal solution for both retrofit and new construction applications.

The Versatec Base model exceeds ASHRAE 90.1 efficiencies while utilizing environmentally friendly R410A refrigerant. It is available in a wide selection of capacities (006-070 MBtuh output) to offer unmatched application flexibility.

Versatec Base: Value and performance redefined.

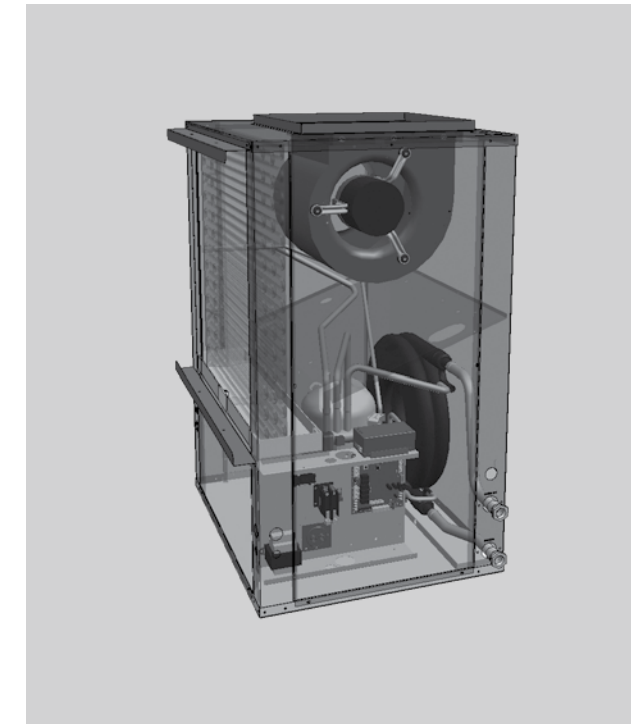


VERSATEC BASE VERTICAL 1/2 to 6 Ton



Model	A	B	C
006-012	19.2	19.2	24.2
015-018	22.5	22.2	30.2
024-030	22.5	22.2	36.2
036	22.5	26.2	40.2
041	21.5	21.5	40.2
042-048	22.5	26.2	44.2
060	25.5	31.2	44.2
070	25.5	31.2	48.2

Versatec Base exceeds ASHRAE 90.1 efficiencies



KEY FEATURES

COMPRESSOR: Reciprocating single speed, in commercial voltages. Compressor blanket option available for improved noise reduction.

BLOWER INLET RINGS: Allow for easy motor and blower removal without disconnecting from the unit duct work.

FILTER: 1" MERV 4 disposable filter with filter rail is standard while a 2" pleated MERV 13 and deluxe filter rack are optional. Field switchable from 1" or 2" filters.

CABINET: Small footprint ideal for retrofit applications. Heavy gauge, environmentally responsible galvanized steel for maximum corrosion resistance. Standard foil-faced cabinet insulation for improved air quality and easy cleaning.

BLOWER MOTOR: PSC blower motors provide high efficiency while allowing quiet operation and wide range of airflow selections. Optional X13 and variable speed ECM 2.3 blower motors are available for improved efficiency and comfort.

CONTROLS: Aurora microprocessor control is standard. Optional Aurora Universal Protocol Converter (UPC) control is available featuring N2, LonWorks, and BACnet compatibility.

DRAIN PAN: Corrosion-resistant composite drain pan is standard while an optional stainless steel drain pan is available.

WATER VALVE: Optional factory-installed, low pressure drop (high Cv) water solenoid valve for variable speed pumping applications. Feature complies with ASHRAE 90.1 standard requirement for WSHP. Pair with optional Automatic Water Flow Control Valve to ensure proper water flow rate.

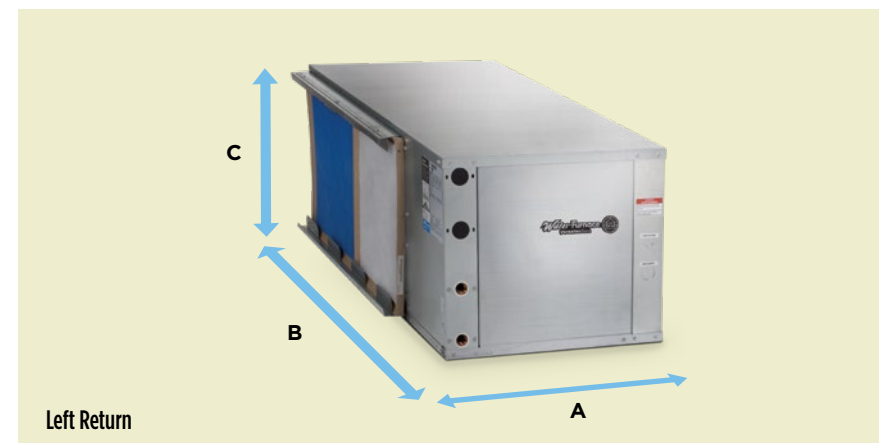
ALUMINUM AIR COIL: An aluminum air coil is featured in all Versatec Base units to provide exceptional durability and high efficiencies. Added protection is also available with an optional AlumiSeal™ coating.

THERMASHIELD™: Optional WaterFurnace-exclusive coating applied to water-to-refrigerant heat exchanger that protects against condensate damage in extended range applications (below 50°F).

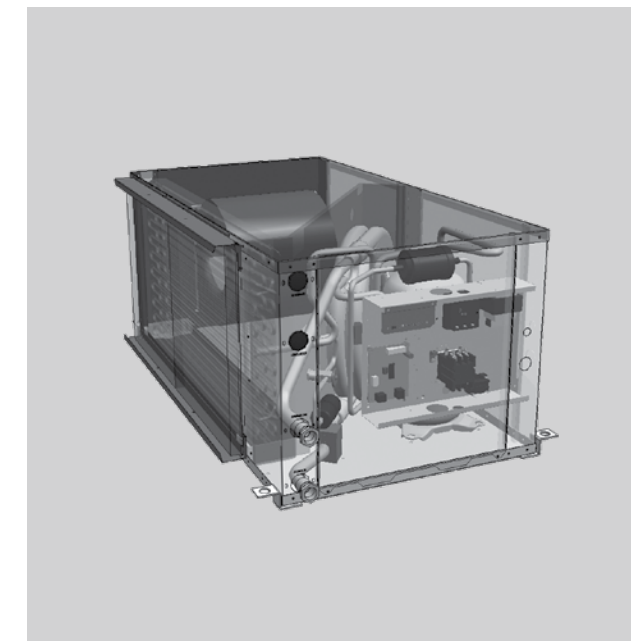
ADDITIONAL OPTIONS:

- COMPRESSOR PHASE GUARD PROTECTION
- ROTARY 'DIAL' TYPE INTERNALLY WIRED NON-FUSED DISCONNECT

VERSATEC BASE HORIZONTAL 1/2 to 6 Ton



Model	A	B	C
006-012*	19.2	35.0	12.1
015-018*	22.5	35.0	17.2
024-030	22.5	42.0	17.2
036	22.5	42.0	19.2
042-048	22.5	45.0	19.2
060	25.5	48.0	21.2
070	25.5	53.0	21.2



Cooling capacities based upon 80.6°F DB, 66.2°F WB entering air temperature
Heating capacities based upon 68°F DB, 59°F WB entering air temperature

10% FEDERAL TAX CREDIT

A 10% Federal Energy Tax Credit and 5-year accelerated depreciation deductions are available for costs associated with energy property using geothermal heat pumps, construction of which must begin before January 1, 2022. The geothermal equipment must be located in the United States and use the ground or ground water as a thermal energy source for heating or thermal sink for cooling. IRS Form 3468 can be used to claim the energy credit which may be used to offset both regular income taxes and alternative minimum taxes. If the tax credit exceeds the income tax liability, the loss can be carried back one taxable year and the remaining balance can be carried forward into future years. Contact your tax professional for more information.



AHRI/ISO 13256-1 PERFORMANCE RATINGS

PSC Motor

AHRI/ASHRAE/ISO 13256-1

English (IP) Units

Model	Flow Rate		Water Loop Heat Pump				Ground Water Heat Pump				Ground Loop Heat Pump			
			Cooling EWT 86°F		Heating EWT 68°F		Cooling EWT 59°F		Heating EWT 50°F		Cooling EWT 77°F		Heating EWT 32°F	
	gpm	cfm	Capacity Btu/h	EER Btu/h/W	Capacity Btu/h	COP	Capacity Btu/h	EER Btu/h/W	Capacity Btu/h	COP	Capacity Btu/h	EER Btu/h/W	Capacity Btu/h	COP
006	2.0	250	7,100	13.4	8,000	4.3	8,400	21.3	6,800	3.8	7,400	15.5	5,400	3.2
009	3.0	350	8,100	12.2	11,400	4.6	9,900	19.2	9,600	4.0	8,900	14.5	7,600	3.4
012	3.0	400	10,200	12.2	15,200	4.4	12,200	18.2	12,600	3.9	11,200	14.2	10,200	3.5
015	4.0	500	13,200	12.5	15,400	4.5	16,000	20.0	13,000	4.0	14,000	15.3	10,400	3.2
018	5.0	600	17,300	13.4	19,000	4.3	19,800	20.5	16,000	3.7	18,000	15.4	12,600	3.2
024	6.0	800	22,900	13.0	26,000	4.5	27,000	19.8	22,600	4.0	24,500	14.8	17,000	3.3
030	8.0	1000	28,400	13.8	34,000	4.5	33,500	21.0	28,000	4.0	30,000	16.0	21,000	3.3
036	9.0	1150	34,500	14.0	43,800	4.7	40,000	22.0	35,600	4.2	36,000	16.3	26,000	3.3
041	11.0	1100	37,600	13.5	48,000	4.3	44,500	20.4	38,500	3.8	40,000	15.0	28,500	3.2
042	11.0	1400	39,200	13.2	51,000	4.7	47,000	20.4	41,400	4.3	42,000	15.2	30,500	3.3
048	12.0	1600	47,200	13.0	59,000	4.6	57,000	19.8	48,000	4.0	49,500	15.0	36,500	3.3
060	15.0	1900	57,000	13.5	66,000	4.3	67,000	21.0	55,000	4.0	58,000	15.2	43,000	3.3
070	18.0	2100	66,000	14.0	80,000	4.5	75,000	20.5	64,000	4.0	68,000	15.6	49,000	3.3

Cooling capacities based upon 80.6°F DB, 66.2°F WB entering air temperature
 Heating capacities based upon 68°F DB, 59°F WB entering air temperature
 All ratings based upon 208V operation

10/15/15

Variable Speed ECM, 5-Speed ECM Motor

AHRI/ASHRAE/ISO 13256-1

English (IP) Units

Model	Flow Rate		Water Loop Heat Pump				Ground Water Heat Pump				Ground Loop Heat Pump			
			Cooling EWT 86°F		Heating EWT 68°F		Cooling EWT 59°F		Heating EWT 50°F		Cooling EWT 77°F		Heating EWT 32°F	
	gpm	cfm	Capacity Btu/h	EER Btu/h/W	Capacity Btu/h	COP	Capacity Btu/h	EER Btu/h/W	Capacity Btu/h	COP	Capacity Btu/h	EER Btu/h/W	Capacity Btu/h	COP
015	4.0	500	13,800	13.2	16,100	4.6	16,000	21.0	13,400	4.1	14,200	15.7	11,000	3.3
018	5.0	600	17,300	14.2	19,000	4.5	19,800	22.0	16,000	3.9	18,000	16.2	12,600	3.3
024	6.0	800	22,900	13.6	26,000	4.7	27,000	20.8	22,600	4.2	24,500	15.6	17,000	3.5
030	8.0	900	28,400	14.7	34,000	4.7	33,500	22.5	28,000	4.2	30,000	17.0	21,000	3.5
036	9.0	1150	34,500	14.5	43,800	4.9	40,000	23.0	35,600	4.4	36,000	17.0	26,000	3.5
041	11.0	1300	39,000	13.9	48,500	4.7	45,000	21.0	38,500	4.1	41,000	16.0	28,500	3.4
042	11.0	1400	39,200	14.2	51,000	4.9	47,000	22.0	41,400	4.5	42,000	16.6	30,500	3.5
048	12.0	1600	47,200	14.0	59,000	4.8	57,000	21.0	48,000	4.2	49,500	16.0	36,500	3.5
060	15.0	1900	57,000	14.0	66,000	4.6	67,000	22.0	55,000	4.2	58,000	16.0	43,000	3.5
070	18.0	2100	66,000	14.6	80,000	4.7	75,000	22.0	64,000	4.2	68,000	16.6	49,000	3.5

Cooling capacities based upon 80.6°F DB, 66.2°F WB entering air temperature
 Heating capacities based upon 68°F DB, 59°F WB entering air temperature
 All ratings based upon 208V operation

10/15/15

*UBH006-012 offers a lifted drain pan that allows the trap to be installed without additional ceiling height required.

BR1201AU 04/18



Commercial Solutions

visit us at waterfurnace.com