



5 Series **506A11**

Geothermal heat pump
2-6 ton (dual capacity)



Submittal Data
English Language/IP Units
SD2505AN 11/17

Contractor: _____ P.O.: _____

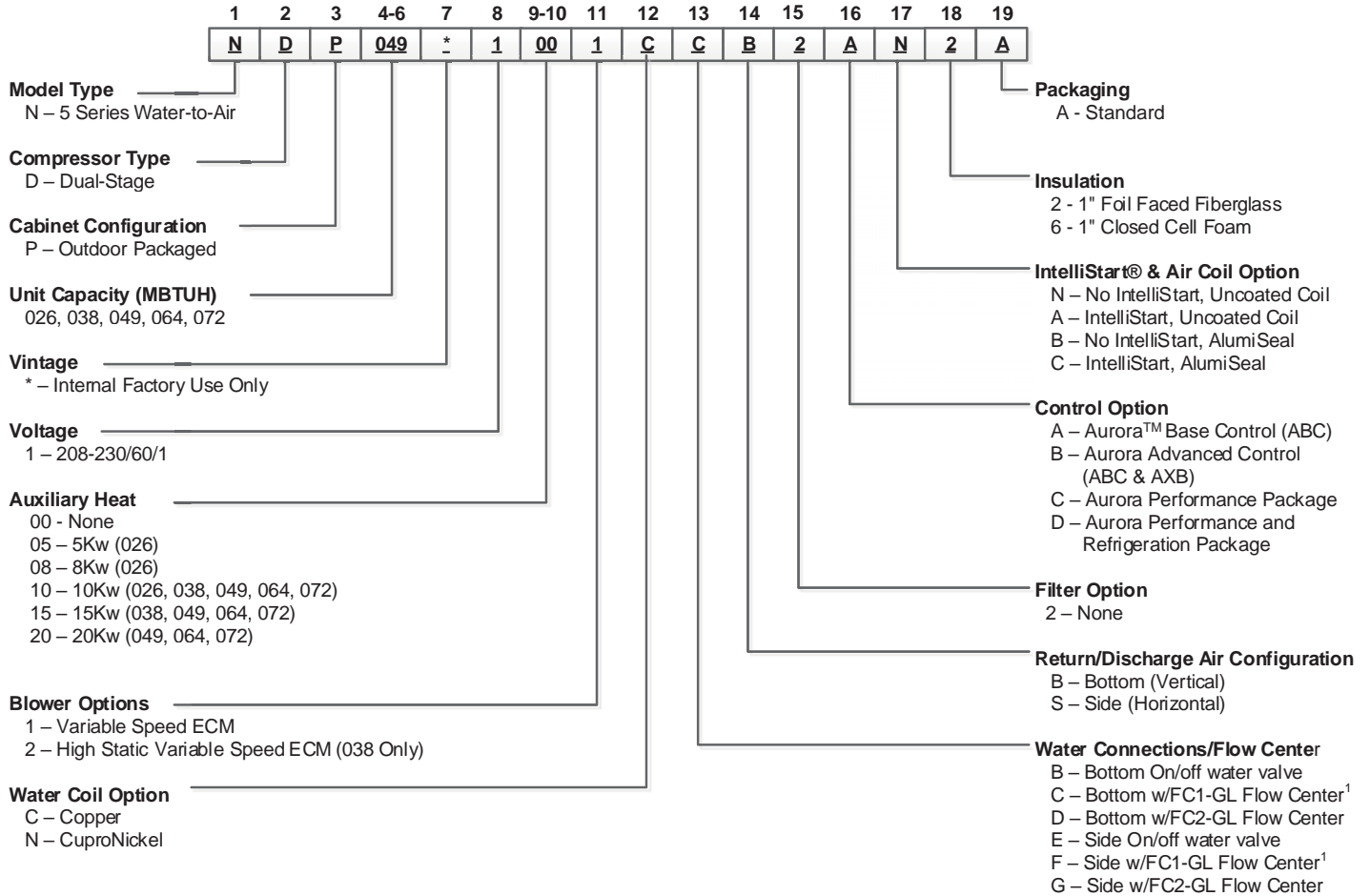
Engineer: _____

Project Name: _____ Unit Tag: _____

5 SERIES 506A11 OUTDOOR PACKAGED HEAT PUMP



Model Nomenclature



Notes:
All Models include sound kits as std. equipment
¹FC1-GL not available in 064-072 units.

Rev.: 9/28/17C

WaterFurnace works continually to improve its products. As a result, the design and specifications of each product at the time of order may be changed without notice. Please contact WaterFurnace at 1-888-929-2837 for latest design and specifications. Purchaser's approval of this data set signifies that the equipment is acceptable under the provisions of the job specification. Statements and other information contained herein are not express warranties and do not form the basis of any bargain between the parties, but are merely WaterFurnace's opinion or commendation of its products. The latest version of this document is available at www.waterfurnace.com.

Contractor: _____ P.O.: _____

Engineer: _____

Project Name: _____ Unit Tag: _____

**5 SERIES 506A11
OUTDOOR PACKAGED HEAT PUMP**



AHRI/ISO 13256-1 Performance Ratings

ECM motor

AHRI/ASHRAE/ISO 13256-1

English (IP) Units

Model	Capacity Modulation	Flow Rate		Water Loop Heat Pump				Ground Water Heat Pump				Ground Loop Heat Pump			
				Cooling EWT 86°F		Heating EWT 68°F		Cooling EWT 59°F		Heating EWT 50°F		Cooling Brine Full Load 77°F Part Load 68°F		Heating Brine Full Load 32°F Part Load 41°F	
		gpm	cfm	Capacity Btuh	EER Btuh/W	Capacity Btuh	COP	Capacity Btuh	EER Btuh/W	Capacity Btuh	COP	Capacity Btuh	EER Btuh/W	Capacity Btuh	COP
026	Full	8	950	23,500	15.6	29,100	5.4	26,200	22.5	23,800	4.7	24,800	17.9	19,300	3.9
	Part	7	750	17,600	17.2	21,400	6.0	20,600	28.7	17,100	4.8	19,600	25.1	15,800	4.4
038	Full	9	1300	36,500	17.0	41,900	5.4	40,000	24.4	34,700	4.8	38,200	19.7	28,300	4.1
	Part	8	1150	26,300	18.9	30,200	6.2	29,600	31.7	24,700	5.0	29,000	27.6	22,500	4.6
049	Full	12	1700	48,800	16.7	57,700	5.4	53,800	24.3	46,900	4.5	50,400	19.0	38,000	4.0
	Part	11	1450	36,000	18.8	41,300	6.0	41,000	32.1	33,300	4.6	39,500	27.1	30,200	4.3
064	Full	16	1800	60,000	15.8	71,700	5.1	67,500	23.1	58,200	4.5	62,500	18.2	46,300	3.8
	Part	14	1600	42,300	16.4	51,800	5.9	51,300	30.0	41,400	4.8	48,600	24.7	36,200	4.2
072	Full	18	2100	67,400	14.2	85,800	4.8	77,400	21.5	70,600	4.3	71,700	16.6	55,400	3.7
	Part	16	1600	50,800	15.5	64,700	5.1	59,000	27.3	52,300	4.2	55,800	21.8	46,700	3.9

7/18/17

Cooling capacities based upon 80.6°F DB, 66.2°F WB entering air temperature

Heating capacities based upon 68°F DB, 59°F WB entering air temperature

All ratings based upon 208V operation

Energy Star Compliance Table

Model	Tier 3	
	Ground Water	Ground Loop
026	E	E
038	E	E
049	E	E
064	E	E
072	E	E

E = ECM

7/18/17

Energy Star Rating Criteria

In order for water-source heat pumps to be Energy Star rated they must meet or exceed the minimum efficiency requirements listed below. Tier 3 represents the current minimum efficiency water source heat pumps must have in order to be Energy Star rated.

Tier 3: 1/1/2012 - No Effective End Date Published

Water-to-Air	EER	COP
Ground Loop	17.1	3.6
Ground Water	21.1	4.1
Water-to-Water		
Ground Loop	16.1	3.1
Ground Water	20.1	3.5



WaterFurnace works continually to improve its products. As a result, the design and specifications of each product at the time of order may be changed without notice. Please contact WaterFurnace at 1-888-929-2837 for latest design and specifications. Purchaser's approval of this data set signifies that the equipment is acceptable under the provisions of the job specification. Statements and other information contained herein are not express warranties and do not form the basis of any bargain between the parties, but are merely WaterFurnace's opinion or commendation of its products. The latest version of this document is available at www.waterfurnace.com.

Contractor: _____ P.O.: _____

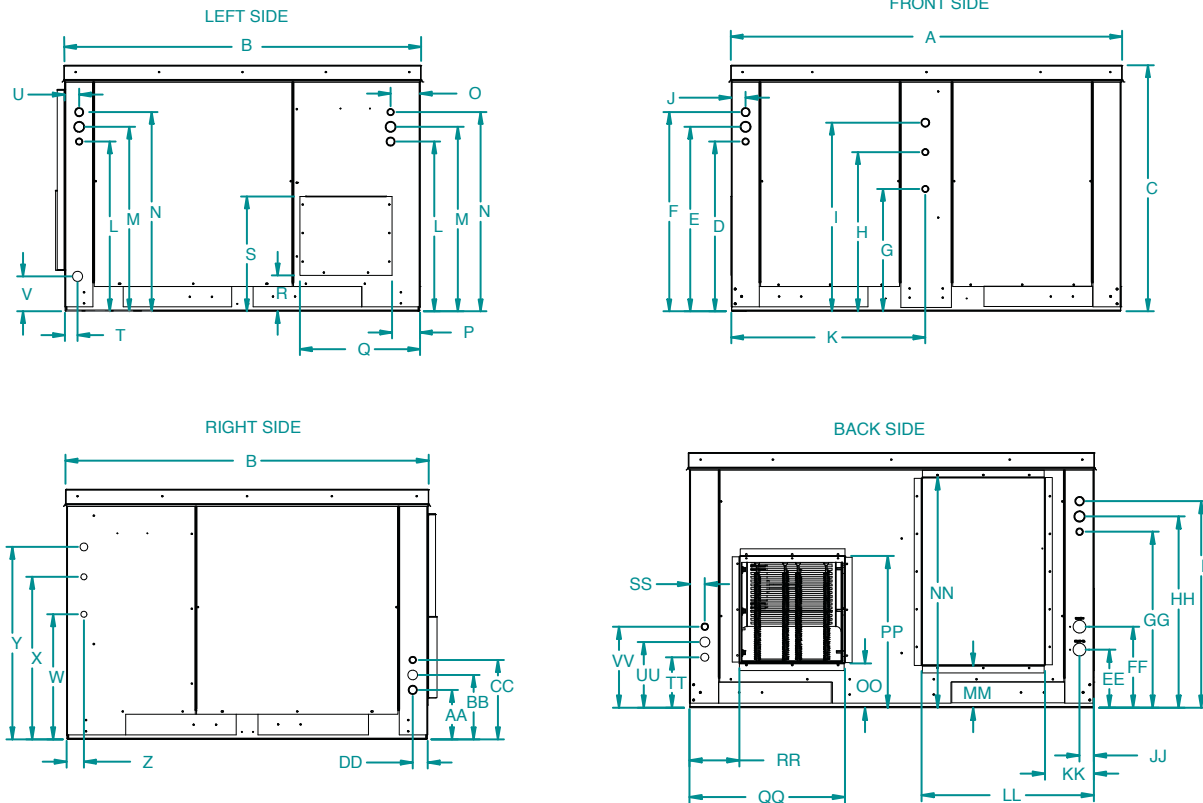
Engineer: _____

Project Name: _____ Unit Tag: _____

**5 SERIES 506A11
OUTDOOR PACKAGED HEAT PUMP**



Dimensional Data



Side Discharge Configuration	Overall Cabinet			Front Electrical Knockouts								Left Electrical Knockouts											
	A	B	C	D	E	F	G	H	I	J	K	L	M	N	O	P	Q	R	S	T	U	V	
	Width	Depth	Height	7/8"	1-3/8"	1-1/8"	7/8"	7/8"	1-1/8"	N/A	N/A	7/8"	1-3/8"	1-1/8"	N/A	Pump			N/A	N/A	Condensate		
026	in.	53.1	48.5	33.3	23.0	25.0	27.0	16.6	21.6	25.6	1.9	26.4	23.4	25.4	27.4	4.0	3.8	16.3	4.9	15.6	1.7	2.0	4.7
	cm.	134.9	123.2	84.6	58.4	63.5	68.6	42.2	54.9	65.0	4.8	67.1	59.4	64.5	69.6	10.2	9.7	41.4	12.4	39.6	4.3	5.1	11.9
038	in.	53.1	48.5	33.3	23.0	25.0	27.0	16.6	21.6	25.6	1.9	26.4	23.4	25.4	27.4	4.0	3.8	16.3	4.9	15.6	1.7	2.0	4.7
	cm.	134.9	123.2	84.6	58.4	63.5	68.6	42.2	54.9	65.0	4.8	67.1	59.4	64.5	69.6	10.2	9.7	41.4	12.4	39.6	4.3	5.1	11.9
049-072	in.	53.1	48.5	41.3	30.9	32.9	34.9	24.5	29.5	33.5	2.0	26.4	30.9	32.9	34.9	1.9	3.8	16.3	8.9	19.6	1.5	2.0	4.9
	cm.	134.9	123.2	104.9	78.5	83.6	88.6	62.2	74.9	85.1	5.1	67.1	78.5	83.6	88.6	4.8	9.7	41.4	22.6	49.8	3.8	5.1	11.9

Side Discharge Configuration	Right Side Electrical Knockouts								Back Side Electrical Knockouts																		
	W	X	Y	Z	AA	BB	CC	DD	EE	FF	GG	HH	II	JJ	KK	LL	MM	NN	OO	PP	QQ	RR	SS	TT	UU	VV	
	7/8"	7/8"	1-1/8"	N/A	1-1/8"	1-3/8"	7/8"	N/A	WTR OUT	WTR IN	7/8"	1-3/8"	1-1/8"	N/A	Return			Discharge			N/A	1-1/8"	1-3/8"	7/8"			
026	in.	16.7	21.7	25.7	2.3	6.6	8.6	10.6	2.0	7.6	10.6	23.0	25.3	27.0	1.9	6.4	22.5	5.5	30.2	5.5	16.5	18.2	8.7	2.0	6.6	8.6	10.6
	cm.	42.4	55.1	65.3	5.8	16.8	21.8	26.9	5.1	19.3	26.9	58.4	64.3	68.6	4.8	16.3	57.2	14.0	76.7	14.0	41.9	46.2	22.1	5.1	16.8	21.8	26.9
038	in.	16.7	21.7	25.7	2.3	6.6	8.6	10.6	2.0	7.6	10.6	23.0	25.3	27.0	1.9	6.4	22.5	5.5	30.2	5.8	19.8	20.4	6.7	2.0	6.6	8.6	10.6
	cm.	42.4	55.1	65.3	5.8	16.8	21.8	26.9	5.1	19.3	26.9	58.4	64.3	68.6	4.8	16.3	57.2	14.0	76.7	14.7	50.3	51.8	17.0	5.1	16.8	21.8	26.9
049-072	in.	24.6	29.6	33.6	2.3	6.6	8.6	10.6	2.0	7.6	10.6	30.9	32.9	34.9	1.9	6.4	22.5	9.3	34.1	5.5	19.1	20.1	6.7	2.0	6.6	8.6	10.6
	cm.	62.5	75.2	85.3	5.8	16.8	21.8	26.9	5.1	19.3	26.9	78.5	83.6	88.6	4.8	16.3	57.2	23.6	86.6	14.0	48.5	51.1	17.0	5.1	16.8	21.8	26.9

Discharge/Return flanges are field installed and extend 1" (25.4 mm) from cabinet
Fractional dimensions indicate knockout sizes.

WaterFurnace works continually to improve its products. As a result, the design and specifications of each product at the time of order may be changed without notice. Please contact WaterFurnace at 1-888-929-2837 for latest design and specifications. Purchaser's approval of this data set signifies that the equipment is acceptable under the provisions of the job specification. Statements and other information contained herein are not express warranties and do not form the basis of any bargain between the parties, but are merely WaterFurnace's opinion or commendation of its products. The latest version of this document is available at www.waterfurnace.com.

Contractor: _____ P.O.: _____

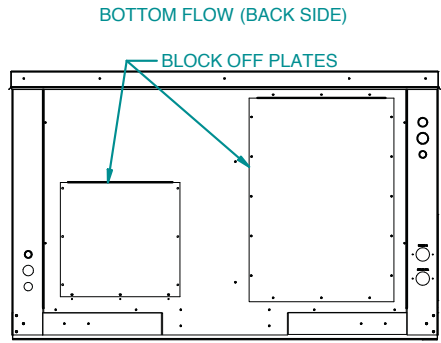
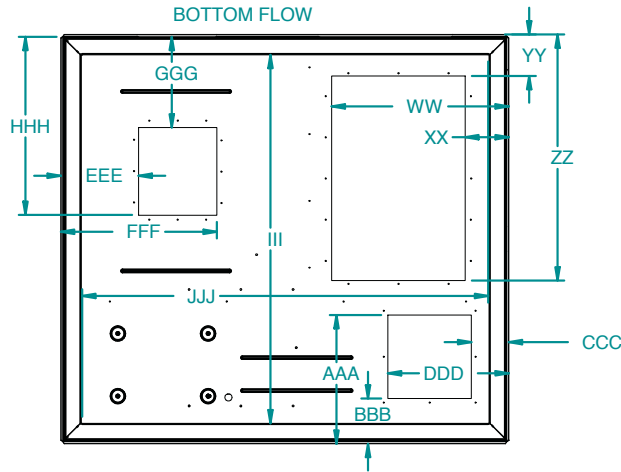
Engineer: _____

Project Name: _____ Unit Tag: _____

**5 SERIES 506A11
OUTDOOR PACKAGED HEAT PUMP**



Dimensional Data cont.



Bottom Flow Configuration	Bottom Side Features														
	WW	XX	YY	ZZ	AAA	BBB	CCC	DDD	EEE	FFF	GGG	HHH	III	JJJ	
	Return				Loop				Discharge						
026	in.	21.3	5.3	5.0	29.5	15.4	5.4	4.5	14.5	9.3	18.7	10.9	21.3	44.2	48.8
	cm.	54.1	13.5	12.7	74.9	39.1	13.7	11.4	36.8	23.6	47.5	27.7	54.1	112.3	124.0
038	in.	21.3	5.3	5.0	29.5	15.4	5.4	4.5	14.5	7.2	20.4	12.3	25.7	44.2	48.8
	cm.	54.1	13.5	12.7	74.9	39.1	13.7	11.4	36.8	18.3	51.8	31.2	65.3	112.3	124.0
049-072	in.	21.3	5.3	5.0	29.5	15.4	5.4	4.5	14.5	7.2	20.4	12.3	25.7	44.2	48.8
	cm.	54.1	13.5	12.7	74.9	39.1	13.7	11.4	36.8	18.3	51.8	31.2	65.3	112.3	124.0

WaterFurnace works continually to improve its products. As a result, the design and specifications of each product at the time of order may be changed without notice. Please contact WaterFurnace at 1-888-929-2837 for latest design and specifications. Purchaser's approval of this data set signifies that the equipment is acceptable under the provisions of the job specification. Statements and other information contained herein are not express warranties and do not form the basis of any bargain between the parties, but are merely WaterFurnace's opinion or commendation of its products. The latest version of this document is available at www.waterfurnace.com.

Contractor: _____ P.O.: _____

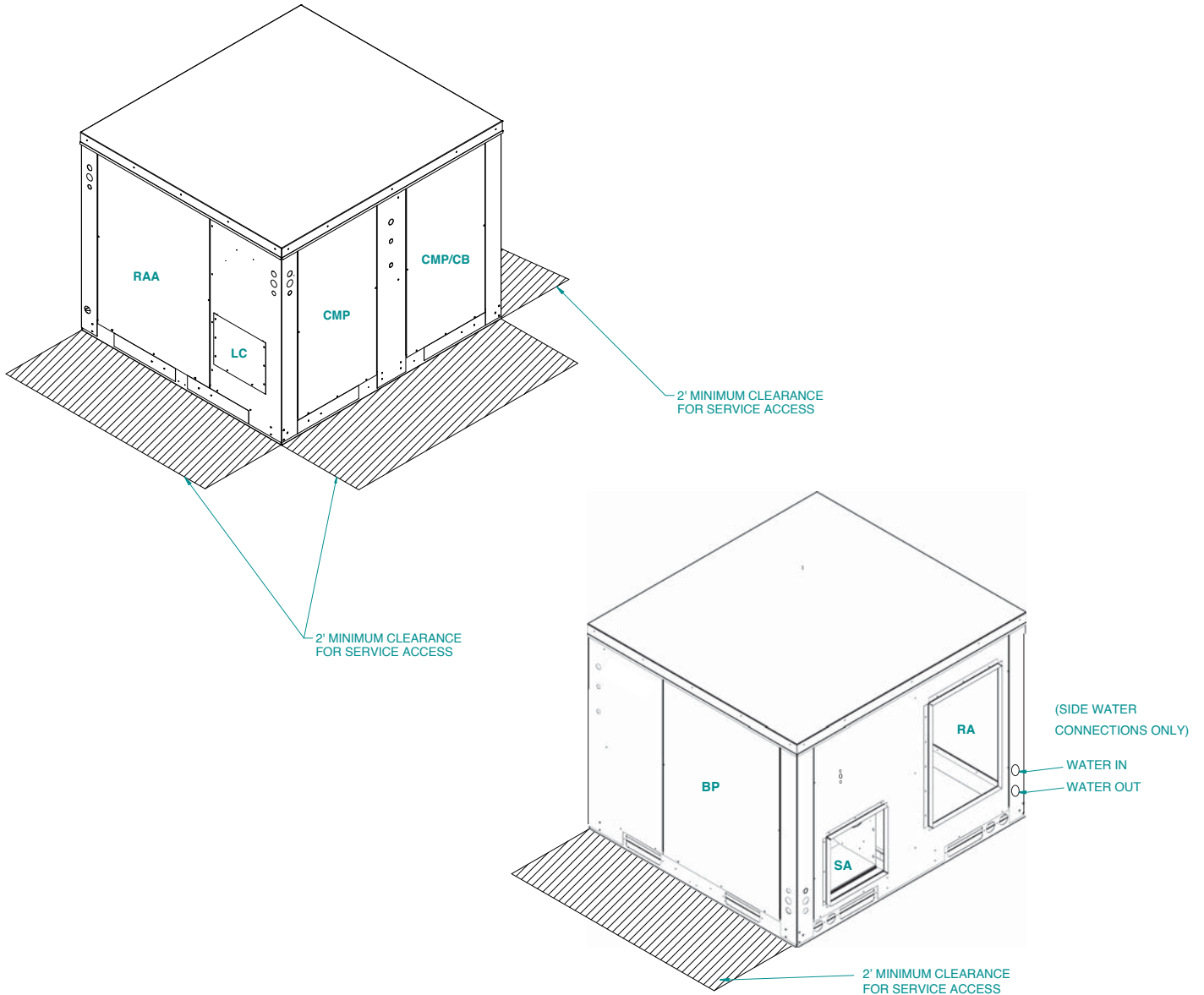
Engineer: _____

Project Name: _____ Unit Tag: _____

**5 SERIES 506A11
OUTDOOR PACKAGED HEAT PUMP**



Dimensional Data cont.



Legend	
RA	Return Air
RAA	Return Air Access
SA	Supply Air
CB	Control Access Panel
CMP	Compressor Access Panel
BP	Blower Access Panel
LC	Loop Connection Access

WaterFurnace works continually to improve its products. As a result, the design and specifications of each product at the time of order may be changed without notice. Please contact WaterFurnace at 1-888-929-2837 for latest design and specifications. Purchaser's approval of this data set signifies that the equipment is acceptable under the provisions of the job specification. Statements and other information contained herein are not express warranties and do not form the basis of any bargain between the parties, but are merely WaterFurnace's opinion or commendation of its products. The latest version of this document is available at www.waterfurnace.com.

Contractor: _____ P.O.: _____

Engineer: _____

Project Name: _____ Unit Tag: _____

**5 SERIES 506A11
OUTDOOR PACKAGED HEAT PUMP**



Physical Data

Model	DUAL CAPACITY					
	026	038	049	064	072	
Compressor (1 each)	Copeland UltraTech, Dual Capacity Scroll					
Factory Charge R410a, oz [kg] (Aluminum tube and fin air coil)	52 [1.47]	78 [2.21]	92 [2.61]	96 [2.72]	110 [3.12]	
ECM Blower Motor & Blower						
Blower Motor Type/Speeds	VS ECM	Variable Speed ECM				
Blower Motor- hp [W]	VS ECM	1/2 [373]	1/2 [373]	1 [746]	1 [746]	1 [746]
High Static Blower Motor - hp [W]	VS ECM	n/a	1 [746]	n/a	n/a	n/a
Blower Wheel Size (Dia x W), in. [mm]	VS ECM	9 x 7 [229 x 178]	11 x 10 [279 x 254]	11 x 10 [279 x 254]	11 x 10 [279 x 254]	11 x 10 [279 x 254]
High Static Blower Wheel Size - [Dia. x W], in. [mm]	VS ECM	n/a	11 x 10 [279 x 254]	n/a	n/a	n/a
Coax and Water Piping						
Water Connections Size (Side) - FPT - in [mm]	1" [25.4]	1" [25.4]	1" [25.4]	1" [25.4]	1" [25.4]	
Water Connections Size (Flow Center Bottom)	GeoLink Double O-ring Fitting					
Water Connections Size (Water Valve Bottom)	1" Hose					
Coax & Piping Water Volume - gal [l]	0.7 [2.6]	1.3 [4.9]	1.6 [6.1]	1.6 [6.1]	2.3 [8.7]	
Vertical						
Air Coil Dimensions (H x W), in. [mm]	24 x 20 [610 x 542]	28 x 25 [711 x 635]	32 x 25 [813 x 635]	36 x 25 [914 x 635]	36 x 25 [914 x 635]	
Air Coil Total Face Area, ft ² [m ²]	3.3 [0.310]	4.9 [0.451]	5.6 [0.570]	6.3 [0.641]	6.3 [0.641]	
Air Coil Tube Size, in [mm]	3/8 [9.5]	3/8 [9.5]	3/8 [9.5]	3/8 [9.5]	3/8 [9.5]	
Air Coil Number of rows	3	3	3	4	4	
Weight - Operating, lb [kg]	502 [228]	545 [247]	580 [263]	596 [270]	606 [275]	
Weight - Packaged, lb [kg]	532 [241]	575 [261]	610 [277]	626 [284]	636 [289]	

8/7/2017

WaterFurnace works continually to improve its products. As a result, the design and specifications of each product at the time of order may be changed without notice. Please contact WaterFurnace at 1-888-929-2837 for latest design and specifications. Purchaser's approval of this data set signifies that the equipment is acceptable under the provisions of the job specification. Statements and other information contained herein are not express warranties and do not form the basis of any bargain between the parties, but are merely WaterFurnace's opinion or commendation of its products. The latest version of this document is available at www.waterfurnace.com.

Contractor: _____ P.O.: _____

Engineer: _____

Project Name: _____ Unit Tag: _____

**5 SERIES 506A11
OUTDOOR PACKAGED HEAT PUMP**



Auxiliary Heat Ratings

Model	KW		Stages	BTU/HR		Min CFM	Model Size Compatibility		
	208V	230V		208V	230V		026	036 - 042	049 - 072
EAM5*	3.6	4.8	1	12,300	16,300	450	●		
EAM8*	5.7	7.6	2	19,400	25,900	550	●		
EAM10*	7.2	9.6	2	24,600	32,700	650	●		
EAL10*	7.2	9.6	2	24,600	32,700	1100		●	●
EAL15*	10.8	14.4	2	36,900	49,100	1250		●	●
EAL20*	14.4	19.2	2	49,200	65,500	1500			●

7/9/2017

Air flow level for auxiliary heat (Aux) must be equal to or above the minimum CFM in this table

Auxiliary Heat Electrical Data

Model	Supply Circuit	Heater Amps		Min Circuit Amp		Fuse (USA)		Fuse (CAN)		CKT BRK	
		208 V	240 V	208 V	240 V	208 V	240 V	208 V	240 V	208 V	240 V
EAM5*	Single	17.3	20.0	26.7	30.0	30	30	30	30	30	30
EAM8*	Single	27.5	31.7	39.3	44.6	40	45	40	45	40	45
EAM10*	Single	34.7	40.0	48.3	55.0	50	60	50	60	50	60
EAL10*	Single	34.7	40.0	53.3	60.0	60	60	60	60	60	60
EAL15*	Single	52.0	60.0	75.0	85.0	80	90	80	90	70	100
	L1/L2	34.7	40.0	53.3	60.0	60	60	60	60	60	60
	L3/L4	17.3	20.0	21.7	25.0	25	25	25	25	20	30
EAL20*	Single	69.3	80.0	96.7	110.0	100	110	100	110	100	100
	L1/L2	34.7	40.0	53.3	60.0	60	60	60	60	60	60
	L3/L4	34.7	40.0	43.3	50.0	45	50	45	50	40	50

All heaters rated single phase 60 cycle and include unit fan load

7/9/2017

All fuses type "D" time delay (or HACR circuit breaker in USA)

Supply wire size to be determined by local codes

WaterFurnace works continually to improve its products. As a result, the design and specifications of each product at the time of order may be changed without notice. Please contact WaterFurnace at 1-888-929-2837 for latest design and specifications. Purchaser's approval of this data set signifies that the equipment is acceptable under the provisions of the job specification. Statements and other information contained herein are not express warranties and do not form the basis of any bargain between the parties, but are merely WaterFurnace's opinion or commendation of its products. The latest version of this document is available at www.waterfurnace.com.

Contractor: _____ P.O.: _____

Engineer: _____

Project Name: _____ Unit Tag: _____

**5 SERIES 506A11
OUTDOOR PACKAGED HEAT PUMP**



Electrical Data

Dual Capacity Unit with Variable Speed ECM Motor

Model	Rated Voltage	Voltage Min/Max	Compressor				Ext Loop FLA	Blower Motor FLA	Total Unit FLA	Min Circ Amp	Max Fuse/HACR
			MCC	RLA	LRA	LRA**					
026	208-230/60/1	187/253	18.2	11.6	58.3	21.0	5.4	4.0	21.0	24.0	35
038	208-230/60/1	187/253	23.8	15.2	83.0	30.0	5.4	4.0	24.6	28.4	40
038*	208-230/60/1	187/253	23.8	15.2	83.0	30.0	5.4	7.0	27.6	31.4	50
049	208-230/60/1	187/253	33.0	21.1	104.0	37.0	5.4	7.0	33.5	38.8	60
064	208-230/60/1	187/253	42.3	27.1	152.9	54.0	5.4	7.0	39.5	46.2	70
072	208-230/60/1	187/253	46.3	29.6	179.2	63.0	5.4	7.0	42.0	49.4	70

*With optional 1 HP Variable Speed ECM motor

7/10/17

**With optional IntelliStart

Rated Voltage of 208/230/60/1

HACR circuit breaker in USA only

All fuses Class RK-5

Contractor: _____ P.O.: _____

Engineer: _____

Project Name: _____ Unit Tag: _____

**5 SERIES 506A11
OUTDOOR PACKAGED HEAT PUMP**



Blower Performance Data

Dual Capacity ECM Blower Table without Zoning

MODEL	MAX ESP	AIR FLOW SPEED SETTINGS											
		1	2	3	4	5	6	7	8	9	10	11	12
026	0.50		400	475 G	625	725 L	775	850 H	950	1050	1175 Aux		
038	0.50	650	700 G	825	950	1075 L	1175	1275 H	1375	1450	1500 Aux		
038 W/1HP*	0.75	675	850 G	1025 L	1250 H	1425	1625	1750	1925	2075 Aux	2225		
049	0.75	675	850 G	1000	1200	1400 L	1600 H	1750	1900	2100	2150 Aux		
064	0.75	700	875 G	1025	1225	1425	1625 L	1775	1925 H	2125	2175 Aux		
072	0.75	700	875 G	1025 G	1225	1425	1625	1775 L	1925	2125 H	2175 Aux		

Factory settings are at recommended G-L-H-Aux speed settings

L-H settings MUST be located within boldface CFM range

"Aux" is factory setting for auxiliary heat and must be equal to or above the "H" setting as well as at least the minimum required for the auxiliary heat package

"G" may be located anywhere within the airflow table

CFM is controlled within +/-5% up to the maximum ESP

Max ESP includes allowance for wet coil

7/24/17

Dual Capacity ECM Blower Table with IntelliZone2

MODEL	MAX ESP	AIR FLOW SPEED SETTINGS											
		1	2	3	4	5	6	7	8	9	10	11	12
026	0.50		400 G	475	625 L 55%	725 70%	775 85%	850 H 100%	950	1050	1175 Aux		
038	0.50	650	700 G	825 L 55%	950 70%	1075	1175 85%	1275 H 100%	1375	1450	1500 Aux		
038 W/1HP*	0.75	675 G	850 L 55%	1025 70%	1250 85%	1425 H 100%	1625	1750	1925	2075 Aux	2225		
049	0.75	675	850 G	1000 L 55%	1200 70%	1400 85%	1600 H 100%	1750	1900	2100	2150 Aux		
064	0.75	700	875 G	1025	1225 L 55%	1425 70%	1625	1775 85%	1925 H 100%	2125	2175 Aux		
072	0.75	700	875 G	1025 G	1225	1425 L 55%	1625 70%	1775	1925 85%	2125 H 100%	2175 Aux		

Factory settings are at recommended G-L-H-Aux speed settings

L-H settings MUST be located within boldface CFM range

"Aux" is factory setting for auxiliary heat and must be equal to or above the "H" setting as well as at least the minimum required for the auxiliary heat package

"G" may be located anywhere within the airflow table

CFM is controlled within +/-5% up to the maximum ESP

Max ESP includes allowance for wet coil

9/18/17

Dual Capacity ECM Blower Table with IntelliZone2•24V

MODEL	MAX ESP	AIR FLOW SPEED SETTINGS											
		1	2	3	4	5	6	7	8	9	10	11	12
026	0.50		400	475 G	625	725 L	775	850 H	950	1050	1175 Aux		
038	0.50	650	700 G	825	950	1075 L	1175	1275 H	1375	1450	1500 Aux		
038 W/1HP*	0.75	675	850 G	1025 L	1250 H	1425	1625	1750	1925	2075 Aux	2225		
049	0.75	675	850 G	1000	1200	1400 L	1600 H	1750	1900	2100	2150 Aux		
064	0.75	700	875 G	1025	1225	1425	1625 L	1775	1925 H	2125	2175 Aux		
072	0.75	700	875 G	1025 G	1225	1425	1625	1775 L	1925	2125 H	2175 Aux		

Factory settings are at recommended G-L-H-Aux speed settings

L-H settings MUST be located within boldface CFM range or higher

"Aux" is factory setting for auxiliary heat and must be equal to or above the "H" setting as well as at least the minimum required for the auxiliary heat package

"G" may be located anywhere within the airflow table

CFM is controlled within +/-5% up to the maximum ESP

Max ESP includes allowance for wet coil

WaterFurnace works continually to improve its products. As a result, the design and specifications of each product at the time of order may be changed without notice. Please contact WaterFurnace at 1-888-929-2837 for latest design and specifications. Purchaser's approval of this data set signifies that the equipment is acceptable under the provisions of the job specification. Statements and other information contained herein are not express warranties and do not form the basis of any bargain between the parties, but are merely WaterFurnace's opinion or commendation of its products. The latest version of this document is available at www.waterfurnace.com.

7/24/17

Contractor: _____ P.O.: _____

Engineer: _____

Project Name: _____ Unit Tag: _____

5 SERIES 506A11 OUTDOOR PACKAGED HEAT PUMP



Blower Performance Data cont.

Setting Blower Speed - Variable Speed ECM

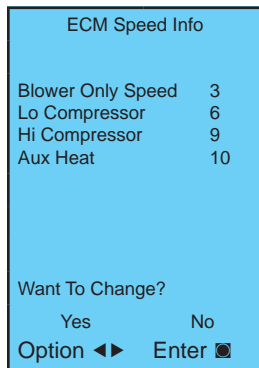
The ABC board's Yellow Config LED will flash the current ECM blower speed selections for "G", low, and high continuously with a short pause in between. The speeds can also be confirmed with the AID Tool under the Setup/ECM Setup screen. The Aux will not be flashed but can be viewed in the AID Tool. The ECM blower motor speeds can be field adjusted with or without using an AID Tool.

ECM Setup without an AID Tool

The blower speeds for "G", Low (Y1), High (Y2), and Aux can be adjusted directly at the Aurora ABC board which utilizes the push button (SW1) on the ABC board. This procedure is outlined in the ECM Configuration Mode portion of the Aurora 'Base' Control System section. The Aux cannot be set manually without an AID Tool.

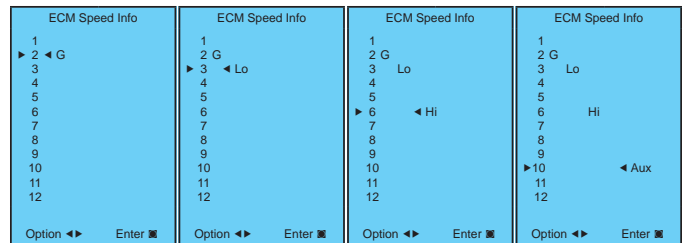
ECM Setup with an AID Tool

A much easier method utilizes the AID Tool to change the airflow using the procedure below. First navigate to the Setup screen and then select ECM Setup. This screen displays the current ECM settings. It allows the technician to enter the setup screens to change the ECM settings. Change the highlighted item using the ◀ and ▶ buttons and then press the ◼ button to select the item.



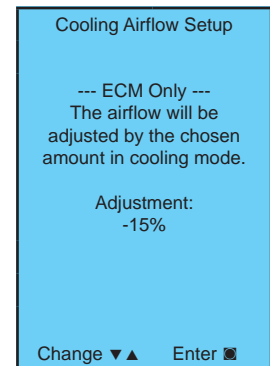
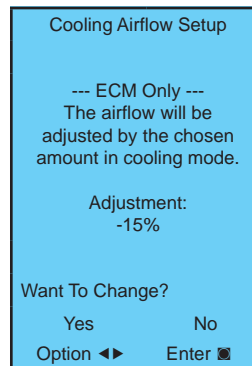
Selecting YES will enter ECM speed setup, while selecting NO will return to the previous screen.

ECM Speed Setup - These screens allow the technician to select the "G", low, high, and auxiliary heat blower speed for the ECM blower motor. Change the highlighted item using the ▲ and ▼ buttons. Press the ◼ button to select the speed.



After the auxiliary heat speed setting is selected the AID Tool will automatically transfer back to the ECM Setup screen.

Cooling Airflow Setup - These screens allow the technician to select -15%, -10%, -5%, None or +5%. Change the adjustment percentage using the ▲ and ▼ buttons. Press the ◼ button to save the change.





Contractor: _____ P.O.: _____
 Engineer: _____
 Project Name: _____ Unit Tag: _____

Operating Limits

Operating Limits	Cooling		Heating	
	(°F)	(°C)	(°F)	(°C)
Air Limits				
Min. Ambient Air	-10	-23.3	-10	-23.3
Rated Ambient Air	80	26.7	70	21.1
Max. Ambient Air	100	37.8	85	29.4
Min. Entering Air	50	10.0	40	4.4
Rated Entering Air db/wb	80.6/66.2	27/19	68	20.0
Max. Entering Air db/wb	110/83	43/28.3	80	26.7
Water Limits				
Min. Entering Water	30	-1.1	30	-1.1
Normal Entering Water	50-110	10-43.3	30-70	-1.1
Max. Entering Water	120	48.9	90	32.2
Nominal Water Flow	1.5 to 3.0 gpm per ton (1.6 to 3.2 l/m per kW)			

NOTE: Minimum/maximum limits are only for start-up conditions, and are meant for bringing the space up to occupancy temperature. Units are not designed to operate at the minimum/maximum conditions on a regular basis. The operating limits are dependent upon three primary factors: 1) water temperature, 2) return air temperature, and 3) ambient temperature. When any of the factors are at the minimum or maximum levels, the other two factors must be at the normal level for proper and reliable unit operation.

Definitions

Abbreviations and Definitions

cfm = airflow, cubic feet/minute	HWC = hot water generator capacity, MBtu/h
EWT = entering water temperature, Fahrenheit	EER = Energy Efficient Ratio
gpm = water flow in gallons/minute	= Btu output/Watt input
WPD = water pressure drop, psi and feet of water	COP = Coefficient of Performance
EAT = entering air temperature, Fahrenheit (dry bulb/wet bulb)	= Btu output/Btu input
HC = air heating capacity, MBtu/h	LWT = leaving water temperature, °F
TC = total cooling capacity, MBtu/h	LAT = leaving air temperature, °F
SC = sensible cooling capacity, MBtu/h	TH = total heating capacity, MBtu/h
kW = total power unit input, kilowatts	LC = latent cooling capacity, MBtu/h
HR = total heat of rejection, MBtu/h	S/T = sensible to total cooling ratio
HE = total heat of extraction, MBtu/h	

Reference Calculations

Heating Calculations:	Cooling Calculations:
$LWT = EWT - \frac{HE}{gpm \times 500}$	$LWT = EWT + \frac{HR}{gpm \times 500}$
$LAT = EAT + \frac{HC}{cfm \times 1.08}$	$LAT (DB) = EAT (DB) - \frac{SC}{cfm \times 1.08}$
$TH = HC + HW$	$LC = TC - SC$
	$S/T = \frac{SC}{TC}$

Notes to Performance Data Tables

The following notes apply to all performance data tables:

- Performance ratings are based on 80°F DB/67°F WB EAT for cooling and 70°F DB EAT for heating.
- Three flow rates are shown for each unit. The lowest flow rate shown is used for geothermal open loop/well water systems with a minimum of 50°F EWT. The middle flow rate shown is the minimum geothermal closed loop flow rate. The highest flow rate shown is optimum for geothermal closed loop systems and the suggested flow rate for boiler/tower applications.
- The hot water generator numbers are based on a flow rate of 0.4 gpm/ton of rated capacity with an EWT of 90°F.
- Entering water temperatures below 40°F assumes 15% antifreeze solution.
- For non-standard EAT conditions, apply the appropriate Correction Factor tables.
- Interpolation between EWT, gpm, and cfm data is permissible, extrapolation is not.

Contractor: _____ P.O.: _____

Engineer: _____

Project Name: _____ Unit Tag: _____

**5 SERIES 506A11
OUTDOOR PACKAGED HEAT PUMP**



Correction Factor Tables

Air Flow Corrections (Dual Capacity Part Load)

Airflow		Cooling				Heating		
cfm Per Ton of Clg	% of Nominal	Total Cap	Sens Cap	Power	Heat of Rej	Htg Cap	Power	Heat of Ext
240	60	0.922	0.778	0.956	0.924	0.943	1.239	0.879
275	69	0.944	0.830	0.962	0.944	0.958	1.161	0.914
300	75	0.957	0.866	0.968	0.958	0.968	1.115	0.937
325	81	0.970	0.900	0.974	0.970	0.977	1.075	0.956
350	88	0.982	0.933	0.981	0.980	0.985	1.042	0.972
375	94	0.991	0.968	0.991	0.991	0.993	1.018	0.988
400	100	1.000	1.000	1.000	1.000	1.000	1.000	1.000
425	106	1.007	1.033	1.011	1.008	1.007	0.990	1.010
450	113	1.013	1.065	1.023	1.015	1.012	0.987	1.018
475	119	1.017	1.099	1.037	1.022	1.018	0.984	1.025
500	125	1.020	1.132	1.052	1.027	1.022	0.982	1.031
520	130	1.022	1.159	1.064	1.030	1.025	0.979	1.034

5/30/06

Air Flow Corrections (Dual Capacity Full Load)

Airflow		Cooling				Heating		
cfm Per Ton of Clg	% of Nominal	Total Cap	Sens Cap	Power	Heat of Rej	Htg Cap	Power	Heat of Ext
240	60	0.922	0.786	0.910	0.920	0.943	1.150	0.893
275	69	0.944	0.827	0.924	0.940	0.958	1.105	0.922
300	75	0.959	0.860	0.937	0.955	0.968	1.078	0.942
325	81	0.971	0.894	0.950	0.967	0.977	1.053	0.959
350	88	0.982	0.929	0.964	0.978	0.985	1.031	0.973
375	94	0.992	0.965	0.982	0.990	0.993	1.014	0.988
400	100	1.000	1.000	1.000	1.000	1.000	1.000	1.000
425	106	1.007	1.034	1.020	1.010	1.007	0.990	1.011
450	113	1.012	1.065	1.042	1.018	1.013	0.983	1.020
475	119	1.017	1.093	1.066	1.026	1.018	0.980	1.028
500	125	1.019	1.117	1.092	1.033	1.023	0.978	1.034
520	130	1.020	1.132	1.113	1.038	1.026	0.975	1.038

5/30/06

Cooling Capacity Corrections

Entering Air WB °F	Total Clg Cap	Sensible Cooling Capacity Multipliers - Entering DB °F										Power Input	Heat of Rejection
		60	65	70	75	80	80.6	85	90	95	100		
55	0.898	0.723	0.866	1.048	1.185	*	*	*	*	*	*	0.985	0.913
60	0.912		0.632	0.880	1.078	1.244	1.260	*	*	*	*	0.994	0.927
63	0.945			0.768	0.960	1.150	1.175	*	*	*	*	0.996	0.954
65	0.976			0.694	0.881	1.079	1.085	1.270	*	*	*	0.997	0.972
66.2	0.983			0.655	0.842	1.040	1.060	1.232	*	*	*	0.999	0.986
67	1.000			0.616	0.806	1.000	1.023	1.193	1.330	1.480	*	1.000	1.000
70	1.053				0.693	0.879	0.900	1.075	1.205	1.404	*	1.003	1.044
75	1.168					0.687	0.715	0.875	1.040	1.261	1.476	1.007	1.141

NOTE: * Sensible capacity equals total capacity at conditions shown.

3/28/12

Heating Capacity Corrections

Ent Air DB °F	Heating Corrections		
	Htg Cap	Power	Heat of Ext
45	1.062	0.739	1.158
50	1.050	0.790	1.130
55	1.037	0.842	1.096
60	1.025	0.893	1.064
65	1.012	0.945	1.030
68	1.005	0.976	1.012
70	1.000	1.000	1.000
75	0.987	1.048	0.970
80	0.975	1.099	0.930

11/10/09

WaterFurnace works continually to improve its products. As a result, the design and specifications of each product at the time of order may be changed without notice. Please contact WaterFurnace at 1-888-929-2837 for latest design and specifications. Purchaser's approval of this data set signifies that the equipment is acceptable under the provisions of the job specification. Statements and other information contained herein are not express warranties and do not form the basis of any bargain between the parties, but are merely WaterFurnace's opinion or commendation of its products. The latest version of this document is available at www.waterfurnace.com.

Contractor: _____ P.O.: _____

Engineer: _____

Project Name: _____ Unit Tag: _____

**5 SERIES 506A11
OUTDOOR PACKAGED HEAT PUMP**



Antifreeze Corrections

Catalog performance can be corrected for antifreeze use. Please use the following table and note the example given.

Antifreeze Type	Antifreeze % by wt	Heating	Cooling	Pressure Drop
EWT - °F [°C]		30 [-1.1]	90 [32.2]	30 [-1.1]
Water	0	1.000	1.000	1.000
Ethylene Glycol	10	0.973	0.991	1.075
	20	0.943	0.979	1.163
	30	0.917	0.965	1.225
	40	0.890	0.955	1.324
	50	0.865	0.943	1.419
Propylene Glycol	10	0.958	0.981	1.130
	20	0.913	0.969	1.270
	30	0.854	0.950	1.433
	40	0.813	0.937	1.614
	50	0.770	0.922	1.816
Ethanol	10	0.927	0.991	1.242
	20	0.887	0.972	1.343
	30	0.856	0.947	1.383
	40	0.815	0.930	1.523
	50	0.779	0.911	1.639
Methanol	10	0.957	0.986	1.127
	20	0.924	0.970	1.197
	30	0.895	0.951	1.235
	40	0.863	0.936	1.323
	50	0.833	0.920	1.399



WARNING: Gray area represents antifreeze concentrations greater than 35% by weight and should be avoided due to the extreme performance penalty they represent.

Antifreeze Correction Example

Antifreeze solution is Propylene Glycol 20% by weight. Determine the corrected heating and cooling performance at 30°F and 90°F respectively as well as pressure drop at 30°F for the O26 Full Load.

The corrected cooling capacity at 90°F would be: 22,500 MBtu/h x 0.969 = 21,803 MBtu/h

The corrected heating capacity at 30°F would be: 18,700 MBtu/h x 0.913 = 17,073 MBtu/h

The corrected pressure drop at 30°F and 8 gpm would be: 10.8 feet of head x 1.270 = 13.7 feet of head

WaterFurnace works continually to improve its products. As a result, the design and specifications of each product at the time of order may be changed without notice. Please contact WaterFurnace at 1-888-929-2837 for latest design and specifications. Purchaser's approval of this data set signifies that the equipment is acceptable under the provisions of the job specification. Statements and other information contained herein are not express warranties and do not form the basis of any bargain between the parties, but are merely WaterFurnace's opinion or commendation of its products. The latest version of this document is available at www.waterfurnace.com.

Contractor: _____ P.O.: _____

Engineer: _____

Project Name: _____ Unit Tag: _____

**5 SERIES 506A11
OUTDOOR PACKAGED HEAT PUMP**



Pressure Drop

Dual Capacity

Model	gpm	Pressure Drop (psi)				
		30°F	50°F	70°F	90°F	110°F
026 full load	4	1.4	1.3	1.2	1.1	1.0
	6	2.8	2.6	2.4	2.3	2.1
	8	4.7	4.4	4.1	3.8	3.5
	10	7.0	6.6	6.2	5.8	5.3
026 part load	3	0.8	0.7	0.7	0.7	0.6
	5	2.0	1.8	1.7	1.6	1.5
	7	3.6	3.4	3.2	3.0	2.8
	9	5.8	5.5	5.1	4.8	4.4
038 full load	5	1.2	1.2	1.1	1.0	1.0
	7	2.2	2.1	1.9	1.8	1.7
	9	3.4	3.2	3.0	2.8	2.6
	11	4.9	4.6	4.3	4	3.7
038 part load	4	0.9	0.8	0.8	0.7	0.7
	6	1.7	1.6	1.5	1.4	1.3
	8	2.8	2.6	2.5	2.3	2.1
	10	4.2	3.9	3.7	3.4	3.2
049 full load	6	1.2	1.2	1.1	1.0	1.0
	9	2.4	2.2	2.1	2.0	1.8
	12	3.9	3.6	3.4	3.2	2.9
	15	5.7	5.3	5	4.7	4.3
049 part load	5	0.9	0.9	0.8	0.8	0.7
	8	2.0	1.8	1.7	1.6	1.5
	11	3.4	3.1	2.9	2.8	2.5
	14	5.0	4.7	4.4	4.1	3.8
064 full load	8	1.8	1.7	1.6	1.4	1.3
	12	3.8	3.5	3.3	3.0	2.8
	16	6.5	6.0	5.6	5.2	4.8
	20	9.7	9.1	8.5	8.0	7.4
064 part load	6	1.0	0.9	0.9	0.8	0.8
	10	2.6	2.5	2.3	2.1	2.0
	14	5.0	4.7	4.4	4.1	3.8
	18	8.1	7.6	7.1	6.6	6.1
072 full load	12	3.2	3.0	2.8	2.6	2.4
	15	4.5	4.2	4.0	3.7	3.4
	18	6.0	5.7	5.3	4.9	4.6
	21	7.8	7.3	6.8	6.4	5.9
072 part load	10	2.3	2.1	2.0	1.9	1.7
	13	3.6	3.3	3.0	2.8	2.6
	16	5.0	4.6	4.3	4.0	3.7
	19	6.5	6.2	5.8	5.4	5.0

1/26/12

WaterFurnace works continually to improve its products. As a result, the design and specifications of each product at the time of order may be changed without notice. Please contact WaterFurnace at 1-888-929-2837 for latest design and specifications. Purchaser's approval of this data set signifies that the equipment is acceptable under the provisions of the job specification. Statements and other information contained herein are not express warranties and do not form the basis of any bargain between the parties, but are merely WaterFurnace's opinion or commendation of its products. The latest version of this document is available at www.waterfurnace.com.

Contractor: _____ P.O.: _____

Engineer: _____

Project Name: _____ Unit Tag: _____

**5 SERIES 506A11
OUTDOOR PACKAGED HEAT PUMP**



Performance Data

026 - Dual Capacity - Part Load (750 cfm)

EWT °F	Flow Rate GPM	WPD		HEATING - EAT 70°F						COOLING - EAT 80/67 °F						
		PSI	FT/HD	Airflow CFM	HC MBtu/h	Power kW	HE MBtu/h	LAT °F	COP	Airflow CFM	TC Mbtu/h	SC Mbtu/h	S/T Ratio	Power kW	HR Mbtu/h	EER
20	3.0	0.8	1.9	Operation not recommended						Operation not recommended						
	5.0	2.0	4.6	Operation not recommended						Operation not recommended						
	7.0	3.7	8.7	550	11.0	1.09	7.3	88.5	2.96	Operation not recommended						
				750	11.4	1.11	7.6	84.1	3.01	Operation not recommended						
30	3.0	0.8	1.8	Operation not recommended						Operation not recommended						
	5.0	1.9	4.5	550	12.5	1.08	8.8	91.0	3.39	550	18.5	12.7	0.68	0.57	20.5	32.6
				750	13.0	1.10	9.2	86.0	3.44	750	18.8	13.9	0.74	0.60	20.9	31.5
	7.0	3.6	8.4	550	13.3	1.10	9.5	92.3	3.52	550	18.6	12.7	0.68	0.55	20.5	33.8
				750	13.8	1.13	9.9	87.1	3.58	750	19.1	13.9	0.73	0.58	21.1	33.0
	40	3.0	0.8	1.8	Operation not recommended						Operation not recommended					
5.0		1.9	4.3	550	14.6	1.09	10.9	94.5	3.91	550	19.4	14.0	0.72	0.63	21.5	30.8
				750	15.1	1.11	11.3	88.6	3.97	750	19.7	15.3	0.77	0.66	22.0	29.9
7.0		3.5	8.2	550	15.4	1.12	11.5	95.9	4.02	550	19.5	14.0	0.72	0.61	21.6	31.9
				750	15.9	1.14	12.0	89.6	4.09	750	20.0	15.3	0.77	0.64	22.2	31.2
50		3.0	0.7	1.7	550	16.1	1.11	12.3	97.1	4.26	550	19.8	14.6	0.74	0.71	22.2
	750				16.6	1.12	12.8	90.5	4.33	750	20.3	16.2	0.80	0.72	22.8	28.0
	5.0	1.8	4.2	550	16.7	1.11	12.9	98.1	4.41	550	20.0	14.7	0.74	0.69	22.3	28.8
				750	17.2	1.12	13.3	91.2	4.49	750	20.5	16.3	0.79	0.71	22.9	29.0
	7.0	3.4	7.9	550	17.5	1.13	13.6	99.4	4.51	550	20.3	15.1	0.74	0.69	22.6	29.5
				750	18.0	1.15	14.1	92.2	4.59	750	20.8	16.7	0.80	0.70	23.2	29.8
60	3.0	0.7	1.7	550	18.1	1.11	14.3	100.5	4.77	550	18.7	14.0	0.75	0.82	21.5	23.0
				750	18.5	1.12	14.7	92.9	4.85	750	19.3	15.5	0.81	0.83	22.1	23.2
	5.0	1.8	4.1	550	18.8	1.11	15.0	101.7	4.97	550	18.9	14.1	0.75	0.79	21.6	23.8
				750	19.3	1.12	15.4	93.8	5.06	750	19.4	15.6	0.80	0.81	22.2	24.0
	7.0	3.3	7.6	550	19.5	1.13	15.6	102.8	5.03	550	19.2	14.5	0.75	0.79	21.9	24.4
				750	19.9	1.14	16.0	94.6	5.12	750	19.8	16.0	0.81	0.80	22.5	24.6
70	3.0	0.7	1.6	550	20.1	1.11	16.2	103.8	5.27	550	17.7	13.4	0.76	0.92	20.8	19.3
				750	20.5	1.12	16.6	95.3	5.37	750	18.2	14.8	0.81	0.94	21.4	19.4
	5.0	1.7	3.9	550	20.9	1.11	17.1	105.2	5.53	550	17.9	13.5	0.75	0.90	20.9	19.9
				750	21.3	1.11	17.5	96.3	5.63	750	18.4	14.9	0.81	0.91	21.5	20.1
	7.0	3.2	7.4	550	21.5	1.13	17.6	106.2	5.55	550	18.2	13.8	0.76	0.89	21.2	20.4
				750	21.8	1.13	18.0	97.0	5.66	750	18.7	15.3	0.82	0.91	21.7	20.6
80	3.0	0.7	1.6	550	22.2	1.14	18.3	107.3	5.71	550	16.7	12.8	0.77	1.05	20.3	15.9
				750	22.5	1.13	18.6	97.7	5.81	750	17.2	14.2	0.83	1.07	20.9	16.0
	5.0	1.6	3.8	550	23.2	1.13	19.4	109.1	6.02	550	16.9	12.9	0.76	1.03	20.4	16.5
				750	23.5	1.12	19.7	99.0	6.13	750	17.4	14.3	0.82	1.05	20.9	16.6
	7.0	3.1	7.1	550	23.6	1.15	19.6	109.6	5.98	550	17.2	13.2	0.77	1.02	20.6	16.9
				750	23.8	1.14	19.9	99.4	6.09	750	17.6	14.6	0.83	1.04	21.2	17.0
90	3.0	0.7	1.5	550	24.3	1.16	20.3	110.8	6.12	550	15.8	12.3	0.78	1.19	19.8	13.3
				750	24.5	1.15	20.5	100.2	6.24	750	16.2	13.6	0.84	1.21	20.3	13.4
	5.0	1.6	3.7	550	25.5	1.15	21.6	113.0	6.49	550	15.9	12.3	0.78	1.16	19.9	13.8
				750	25.7	1.14	21.8	101.7	6.62	750	16.4	13.7	0.83	1.18	20.4	13.9
	7.0	3.0	6.9	550	25.6	1.18	21.6	113.1	6.39	550	16.2	12.7	0.78	1.15	20.1	14.1
				750	25.7	1.16	21.8	101.8	6.52	750	16.6	14.0	0.84	1.17	20.6	14.2
100	3.0	0.6	1.5	Operation not recommended						Operation not recommended						
	5.0	1.5	3.5	Operation not recommended						550	14.9	11.8	0.79	1.33	19.5	11.3
				750	15.4	13.0	0.85	1.35	20.0	11.3						
	7.0	2.9	6.6	Operation not recommended						550	15.2	12.1	0.80	1.32	19.7	11.5
750				15.6	13.4	0.86	1.34	20.2	11.6							
110	3.0	0.6	1.4	Operation not recommended						Operation not recommended						
	5.0	1.5	3.4	Operation not recommended						550	14.0	11.2	0.80	1.50	19.1	9.3
				750	14.4	12.4	0.87	1.53	19.6	9.4						
	7.0	2.8	6.4	Operation not recommended						550	14.2	11.5	0.81	1.49	19.3	9.6
750				14.6	12.7	0.87	1.52	19.8	9.6							
120	3.0	0.6	1.3	Operation not recommended						Operation not recommended						
	5.0	1.4	3.3	Operation not recommended						550	13.1	11.7	0.89	1.71	18.9	7.6
				750	13.3	12.7	0.95	1.75	19.3	7.6						
	7.0	2.7	6.1	Operation not recommended						550	13.2	11.7	0.89	1.65	18.8	8.0
750				13.4	12.7	0.94	1.71	19.3	7.9							

7/29/17

WaterFurnace works continually to improve its products. As a result, the design and specifications of each product at the time of order may be changed without notice. Please contact WaterFurnace at 1-888-929-2837 for latest design and specifications. Purchaser's approval of this data set signifies that the equipment is acceptable under the provisions of the job specification. Statements and other information contained herein are not express warranties and do not form the basis of any bargain between the parties, but are merely WaterFurnace's opinion or commendation of its products. The latest version of this document is available at www.waterfurnace.com.

Contractor: _____ P.O.: _____

Engineer: _____

Project Name: _____ Unit Tag: _____

**5 SERIES 506A11
OUTDOOR PACKAGED HEAT PUMP**



Performance Data cont.

026 - Dual Capacity - Full Load (950 cfm)

EWT °F	Flow Rate GPM	WPD		HEATING - EAT 70°F						COOLING - EAT 80/67 °F							
		PSI	FT/HD	Airflow CFM	HC MBtu/h	Power kW	HE MBtu/h	LAT °F	COP	Airflow CFM	TC Mbtu/h	SC Mbtu/h	S/T Ratio	Power kW	HR Mbtu/h	EER	
20	4.0	1.4	3.2	Operation not recommended						Operation not recommended							
	6.0	2.8	6.5	Operation not recommended						Operation not recommended							
	8.0	4.8	11.1	750	15.5	1.41	10.7	89.2	3.21	Operation not recommended							
30	4.0	1.4	3.2	Operation not recommended						Operation not recommended							
	6.0	2.7	6.3	750	17.8	1.43	12.9	92.0	3.65	750	23.0	16.8	0.73	0.96	26.3	24.1	
				950	18.4	1.48	13.3	87.9	3.64	950	23.4	18.4	0.78	1.01	26.9	23.2	
	8.0	4.7	10.8	750	18.1	1.45	13.2	92.4	3.67	750	23.2	16.8	0.73	0.93	26.3	24.9	
				950	18.7	1.49	13.6	88.3	3.68	950	23.7	18.4	0.77	0.98	27.1	24.3	
40	4.0	1.3	3.1	Operation not recommended						Operation not recommended							
	6.0	2.6	6.1	750	20.4	1.49	15.3	95.2	4.02	750	24.9	18.1	0.73	1.06	28.5	23.6	
				950	21.0	1.52	15.8	90.5	4.05	950	25.4	19.8	0.78	1.11	29.1	22.9	
	8.0	4.5	10.4	750	20.8	1.50	15.7	95.7	4.06	750	25.1	18.1	0.72	1.03	28.6	24.5	
				950	21.5	1.53	16.2	90.9	4.10	950	25.7	19.8	0.77	1.07	29.3	23.9	
50	4.0	1.3	3.0	750	22.1	1.51	17.0	97.3	4.31	750	25.4	17.7	0.70	1.21	29.5	21.0	
				950	22.8	1.53	17.6	92.2	4.37	950	26.7	19.6	0.74	1.27	31.1	21.0	
	6.0	2.6	5.9	750	23.0	1.54	17.7	98.3	4.36	750	25.9	17.9	0.69	1.14	29.8	22.7	
				950	23.7	1.56	18.4	93.1	4.44	950	27.3	19.9	0.73	1.20	31.4	22.8	
	8.0	4.4	10.1	750	23.5	1.56	18.2	99.0	4.42	750	26.2	19.1	0.73	1.11	30.0	23.5	
950				24.2	1.58	18.8	93.6	4.50	950	27.6	21.2	0.77	1.17	31.6	23.6		
60	4.0	1.2	2.9	750	24.4	1.56	19.1	100.1	4.58	750	24.3	17.3	0.71	1.32	28.8	18.4	
				950	25.2	1.57	19.8	94.5	4.70	950	25.5	19.3	0.76	1.38	30.2	18.5	
	6.0	2.5	5.7	750	25.5	1.60	20.0	101.5	4.66	750	24.9	17.5	0.71	1.25	29.1	19.8	
				950	26.3	1.61	20.8	95.7	4.78	950	26.0	19.4	0.75	1.31	30.5	19.9	
	8.0	4.2	9.8	750	26.1	1.62	20.6	102.2	4.72	750	25.1	18.5	0.74	1.22	29.3	20.5	
950				27.0	1.63	21.4	96.3	4.86	950	26.3	20.5	0.78	1.28	30.7	20.6		
70	4.0	1.2	2.8	750	26.7	1.61	21.2	102.9	4.85	750	23.2	17.0	0.73	1.43	28.0	16.2	
				950	27.6	1.61	22.1	96.9	5.02	950	24.2	18.9	0.78	1.48	29.2	16.3	
	6.0	2.4	5.5	750	28.0	1.66	22.4	104.6	4.94	750	23.8	17.2	0.72	1.37	28.4	17.4	
				950	29.0	1.66	23.3	98.2	5.10	950	24.8	19.0	0.77	1.41	29.6	17.5	
	8.0	4.1	9.5	750	28.8	1.68	23.0	105.5	5.00	750	24.0	17.9	0.74	1.33	28.6	18.0	
950				29.7	1.68	24.0	99.0	5.19	950	25.1	19.8	0.79	1.39	29.8	18.1		
80	4.0	1.2	2.7	750	29.3	1.70	23.5	106.1	5.05	750	22.0	16.7	0.76	1.57	27.4	14.0	
				950	30.3	1.69	24.5	99.5	5.26	950	22.9	18.6	0.81	1.62	28.4	14.1	
	6.0	2.3	5.4	750	31.0	1.77	24.9	108.2	5.13	750	22.6	17.0	0.75	1.52	27.8	14.9	
				950	32.0	1.75	26.0	101.2	5.36	950	23.5	18.8	0.80	1.56	28.9	15.0	
	8.0	4.0	9.2	750	31.9	1.79	25.7	109.3	5.21	750	22.9	17.4	0.76	1.49	27.9	15.4	
950				32.9	1.76	26.9	102.1	5.47	950	23.8	19.2	0.81	1.53	29.0	15.5		
90	4.0	1.1	2.6	750	31.9	1.79	25.8	109.4	5.22	750	20.9	16.5	0.79	1.72	26.7	12.1	
				950	33.0	1.76	27.0	102.2	5.49	950	21.6	18.4	0.85	1.76	27.6	12.3	
	6.0	2.2	5.2	750	33.9	1.87	27.5	111.8	5.31	750	21.5	16.7	0.78	1.67	27.2	12.9	
				950	35.1	1.84	28.8	104.2	5.60	950	22.3	18.6	0.83	1.71	28.1	13.0	
	8.0	3.8	8.8	750	34.9	1.90	28.5	113.1	5.40	750	21.7	16.9	0.78	1.64	27.3	13.2	
950				36.2	1.85	29.8	105.2	5.73	950	22.5	18.7	0.83	1.68	28.2	13.4		
100	4.0	1.1	2.5	Operation not recommended						Operation not recommended							
	6.0	2.2	5.0	750	20.5	1.66	0.81	1.87	26.8	11.0	750	20.5	16.6	0.81	1.87	26.8	11.0
				950	21.1	1.85	0.87	1.89	27.6	11.2	950	21.1	18.5	0.87	1.89	27.6	11.2
	8.0	3.7	8.5	750	20.7	1.66	0.80	1.83	26.9	11.3	750	20.7	16.6	0.80	1.83	26.9	11.3
950				21.3	1.84	0.86	1.86	27.7	11.5	950	21.3	18.4	0.86	1.86	27.7	11.5	
110	4.0	1.0	2.4	Operation not recommended						Operation not recommended							
	6.0	2.1	4.8	750	19.4	1.65	0.85	2.06	26.5	9.4	750	19.4	16.5	0.85	2.06	26.5	9.4
				950	20.0	1.84	0.92	2.08	27.1	9.6	950	20.0	18.4	0.92	2.08	27.1	9.6
	8.0	3.5	8.2	750	19.6	1.63	0.83	2.02	26.5	9.7	750	19.6	16.3	0.83	2.02	26.5	9.7
950				20.2	1.80	0.89	2.05	27.2	9.9	950	20.2	18.0	0.89	2.05	27.2	9.9	
120	4.0	1.0	2.3	Operation not recommended						Operation not recommended							
	6.0	2.0	4.6	750	18.3	1.59	0.87	2.27	26.0	8.0	750	18.3	15.9	0.87	2.27	26.0	8.0
				950	18.6	1.73	0.93	2.33	26.5	8.0	950	18.6	17.3	0.93	2.33	26.5	8.0
	8.0	3.4	7.9	750	18.4	1.59	0.86	2.20	25.9	8.4	750	18.4	15.9	0.86	2.20	25.9	8.4
950				18.8	1.73	0.92	2.27	26.6	8.3	950	18.8	17.3	0.92	2.27	26.6	8.3	

7/29/17

WaterFurnace works continually to improve its products. As a result, the design and specifications of each product at the time of order may be changed without notice. Please contact WaterFurnace at 1-888-929-2837 for latest design and specifications. Purchaser's approval of this data set signifies that the equipment is acceptable under the provisions of the job specification. Statements and other information contained herein are not express warranties and do not form the basis of any bargain between the parties, but are merely WaterFurnace's opinion or commendation of its products. The latest version of this document is available at www.waterfurnace.com.

Contractor: _____ P.O.: _____

Engineer: _____

Project Name: _____ Unit Tag: _____

**5 SERIES 506A11
OUTDOOR PACKAGED HEAT PUMP**



Performance Data cont.

038 - Dual Capacity - Part Load (1150 cfm)

EWT °F	Flow Rate GPM	WPD		HEATING - EAT 70°F						COOLING - EAT 80/67 °F						
		PSI	FT/HD	Airflow CFM	HC MBtu/h	Power kW	HE MBtu/h	LAT °F	COP	Airflow CFM	TC Mbtu/h	SC Mbtu/h	S/T Ratio	Power kW	HR Mbtu/h	EER
20	4.0	0.9	2.2	Operation not recommended						Operation not recommended						
	6.0	1.8	4.1	Operation not recommended						Operation not recommended						
	8.0	2.9	6.8	1000	14.7	1.54	9.4	83.6	2.79	Operation not recommended						
30	4.0	0.9	2.1	Operation not recommended						Operation not recommended						
				Operation not recommended						Operation not recommended						
	6.0	1.7	3.9	1000	16.3	1.49	11.3	85.1	3.22	1000	23.4	16.4	0.70	0.76	25.9	30.9
				1150	17.0	1.53	11.8	83.7	3.26	1150	23.7	18.0	0.76	0.80	26.5	29.8
	8.0	2.8	6.6	1000	17.4	1.53	12.2	86.1	3.34	1000	23.5	16.4	0.70	0.73	26.0	32.0
1150				18.1	1.57	12.8	84.6	3.39	1150	24.1	18.0	0.75	0.77	26.7	31.2	
40	4.0	0.9	2.0	Operation not recommended						Operation not recommended						
				Operation not recommended						Operation not recommended						
	6.0	1.7	3.8	1000	19.1	1.53	13.9	87.7	3.66	1000	27.1	19.3	0.71	0.85	29.9	32.0
				1150	19.7	1.56	14.4	85.9	3.71	1150	27.6	21.1	0.77	0.89	30.6	31.1
	8.0	2.8	6.4	1000	20.1	1.57	14.8	88.6	3.76	1000	27.3	19.3	0.71	0.82	30.1	33.2
1150				20.8	1.60	15.4	86.7	3.82	1150	27.9	21.1	0.76	0.86	30.8	32.5	
50	4.0	0.9	2.0	1000	21.1	1.57	15.7	89.5	3.93	1000	30.1	21.2	0.71	0.96	33.3	31.2
				1150	21.7	1.59	16.3	87.5	4.00	1150	30.9	23.5	0.76	0.98	34.2	31.5
	6.0	1.6	3.7	1000	21.8	1.57	16.4	90.2	4.07	1000	30.3	21.3	0.70	0.94	33.5	32.4
				1150	22.5	1.59	17.0	88.1	4.14	1150	31.2	23.6	0.76	0.96	34.4	32.6
	8.0	2.7	6.2	1000	22.8	1.61	17.3	91.1	4.16	1000	30.8	21.9	0.71	0.93	34.0	33.2
1150				23.5	1.63	17.9	88.9	4.23	1150	31.7	24.2	0.76	0.95	34.9	33.5	
60	4.0	0.8	1.9	1000	24.1	1.59	18.6	92.3	4.43	1000	28.3	21.1	0.75	1.10	32.0	25.6
				1150	24.7	1.60	19.2	89.9	4.51	1150	29.1	23.3	0.80	1.12	32.9	25.8
	6.0	1.6	3.6	1000	25.0	1.59	19.6	93.2	4.62	1000	28.5	21.2	0.74	1.07	32.2	26.6
				1150	25.6	1.60	20.2	90.6	4.70	1150	29.3	23.5	0.80	1.10	33.1	26.8
	8.0	2.6	6.0	1000	25.9	1.62	20.4	94.0	4.68	1000	29.0	21.8	0.75	1.06	32.6	27.2
1150				26.5	1.63	20.9	91.3	4.76	1150	29.8	24.1	0.81	1.09	33.5	27.5	
70	4.0	0.8	1.8	1000	27.1	1.61	21.6	95.1	4.92	1000	26.5	21.0	0.79	1.24	30.7	21.3
				1150	27.6	1.61	22.1	92.2	5.01	1150	27.2	23.2	0.85	1.27	31.5	21.5
	6.0	1.5	3.5	1000	28.3	1.61	22.8	96.2	5.16	1000	26.7	21.1	0.79	1.21	30.9	22.1
				1150	28.8	1.61	23.3	93.2	5.26	1150	27.5	23.3	0.85	1.23	31.7	22.2
	8.0	2.5	5.8	1000	29.0	1.64	23.4	96.8	5.18	1000	27.2	21.6	0.80	1.20	31.3	22.6
1150				29.5	1.64	23.9	93.8	5.28	1150	27.9	23.9	0.86	1.22	32.1	22.8	
80	4.0	0.8	1.8	1000	30.6	1.63	25.0	98.3	5.50	1000	25.3	20.6	0.81	1.43	30.2	17.7
				1150	31.0	1.62	25.5	95.0	5.61	1150	26.1	22.9	0.88	1.46	31.0	17.8
	6.0	1.4	3.3	1000	32.1	1.62	26.5	99.7	5.80	1000	25.6	20.8	0.81	1.40	30.3	18.3
				1150	32.4	1.61	26.9	96.1	5.91	1150	26.3	23.0	0.87	1.42	31.1	18.5
	8.0	2.4	5.6	1000	32.5	1.65	26.9	100.1	5.76	1000	26.0	21.3	0.82	1.38	30.7	18.8
1150				32.8	1.64	27.2	96.4	5.87	1150	26.7	23.6	0.88	1.41	31.5	19.0	
90	4.0	0.7	1.7	1000	34.1	1.65	28.5	101.6	6.07	1000	24.2	20.3	0.84	1.62	29.8	14.9
				1150	34.4	1.63	28.8	97.7	6.19	1150	24.9	22.5	0.90	1.65	30.5	15.1
	6.0	1.4	3.2	1000	35.9	1.63	30.3	103.2	6.44	1000	24.4	20.5	0.84	1.58	29.8	15.5
				1150	36.1	1.61	30.6	99.1	6.57	1150	25.1	22.6	0.90	1.61	30.6	15.6
	8.0	2.3	5.4	1000	36.0	1.67	30.3	103.4	6.34	1000	24.8	21.0	0.84	1.57	30.2	15.9
1150				36.2	1.64	30.6	99.1	6.47	1150	25.5	23.2	0.91	1.60	31.0	16.0	
100	4.0	0.7	1.7	Operation not recommended						Operation not recommended						
	6.0	1.3	3.1	Operation not recommended						1000	22.8	19.8	0.87	1.81	28.9	12.6
				1150	23.4	21.9	0.93	1.84	29.7	12.7						
	8.0	2.2	5.2	Operation not recommended						1000	23.2	20.3	0.87	1.79	29.3	12.9
1150				23.8	22.4	0.94	1.83	30.0	13.0							
110	4.0	0.7	1.6	Operation not recommended						Operation not recommended						
	6.0	1.3	3.0	Operation not recommended						1000	21.1	19.1	0.90	2.04	28.1	10.4
				1150	21.7	21.1	0.97	2.08	28.8	10.5						
	8.0	2.2	5.0	Operation not recommended						1000	21.5	19.5	0.91	2.02	28.4	10.6
1150				22.1	21.6	0.98	2.06	29.1	10.7							
120	4.0	0.7	1.5	Operation not recommended						Operation not recommended						
	6.0	1.2	2.9	Operation not recommended						1000	19.6	19.0	0.97	2.32	27.5	8.4
				1150	19.9	20.6	1.04	2.38	28.0	8.4						
	8.0	2.1	4.8	Operation not recommended						1000	19.7	19.0	0.96	2.25	27.4	8.8
1150				20.1	20.6	1.02	2.32	28.1	8.7							

7/29/17

WaterFurnace works continually to improve its products. As a result, the design and specifications of each product at the time of order may be changed without notice. Please contact WaterFurnace at 1-888-929-2837 for latest design and specifications. Purchaser's approval of this data set signifies that the equipment is acceptable under the provisions of the job specification. Statements and other information contained herein are not express warranties and do not form the basis of any bargain between the parties, but are merely WaterFurnace's opinion or commendation of its products. The latest version of this document is available at www.waterfurnace.com.

Contractor: _____ P.O.: _____

Engineer: _____

Project Name: _____ Unit Tag: _____

**5 SERIES 506A11
OUTDOOR PACKAGED HEAT PUMP**



Performance Data cont.

038 - Dual Capacity - Full Load (1300 cfm)

EWT °F	Flow Rate GPM	WPD		HEATING - EAT 70°F						COOLING - EAT 80/67 °F						
		PSI	FT/HD	Airflow CFM	HC MBtu/h	Power kW	HE MBtu/h	LAT °F	COP	Airflow CFM	TC Mbtu/h	SC Mbtu/h	S/T Ratio	Power kW	HR Mbtu/h	EER
20	5.0	1.3	3.0	Operation not recommended						Operation not recommended						
	7.0	2.2	5.1	Operation not recommended						Operation not recommended						
	9.0	3.5	8.1	1100	22.4	2.01	15.5	88.9	3.26	Operation not recommended						
30	5.0	1.2	2.9	Operation not recommended						Operation not recommended						
				1100	25.4	2.11	18.3	91.4	3.54	1100	32.5	22.7	0.70	1.28	36.9	25.3
	7.0	2.2	5.0	1300	26.2	2.17	18.8	88.6	3.53	1300	33.0	24.8	0.75	1.35	37.6	24.4
				1100	25.9	2.13	18.6	91.8	3.56	1100	32.7	22.7	0.70	1.25	36.9	26.2
	9.0	3.4	7.9	1300	26.7	2.19	19.2	89.0	3.57	1300	33.5	24.8	0.74	1.31	37.9	25.6
40	5.0	1.2	2.8	Operation not recommended						Operation not recommended						
				1100	28.5	2.17	21.1	94.0	3.85	1100	35.5	24.9	0.70	1.44	40.5	24.6
	7.0	2.1	4.8	1300	29.4	2.22	21.8	90.9	3.88	1300	36.2	27.2	0.75	1.51	41.4	23.9
				1100	29.1	2.19	21.6	94.5	3.89	1100	35.8	24.9	0.69	1.40	40.6	25.6
	9.0	3.3	7.6	1300	30.0	2.24	22.4	91.4	3.93	1300	36.6	27.2	0.74	1.47	41.6	25.0
50	5.0	1.2	2.7	1100	30.5	2.18	23.0	95.6	4.09	1100	36.6	24.6	0.67	1.68	42.4	21.8
				1300	31.4	2.21	23.8	92.3	4.15	1300	38.6	27.4	0.71	1.77	44.6	21.8
	7.0	2.0	4.7	1100	31.6	2.23	24.0	96.6	4.14	1100	37.4	24.9	0.67	1.58	42.8	23.6
				1300	32.6	2.26	24.9	93.2	4.22	1300	39.3	27.7	0.70	1.66	45.0	23.7
	9.0	3.2	7.4	1100	32.3	2.25	24.6	97.2	4.20	1100	37.8	26.6	0.70	1.54	43.0	24.5
60	5.0	1.1	2.6	1100	33.7	2.25	26.0	98.4	4.39	1100	36.3	25.1	0.69	1.83	42.5	19.8
				1300	34.8	2.27	27.1	94.8	4.50	1300	38.0	28.0	0.74	1.91	44.5	19.9
	7.0	2.0	4.5	1100	35.2	2.31	27.3	99.7	4.46	1100	37.1	25.4	0.69	1.74	43.0	21.3
				1300	36.4	2.33	28.4	95.9	4.58	1300	38.9	28.2	0.73	1.81	45.0	21.4
	9.0	3.1	7.2	1100	36.1	2.34	28.1	100.4	4.52	1100	37.5	26.8	0.71	1.70	43.3	22.1
70	5.0	1.1	2.5	1100	37.0	2.32	29.1	101.1	4.68	1100	35.9	25.7	0.72	1.98	42.6	18.1
				1300	38.3	2.32	30.4	97.3	4.84	1300	37.5	28.6	0.76	2.06	44.5	18.2
	7.0	1.9	4.4	1100	38.9	2.39	30.7	102.7	4.76	1100	36.8	26.0	0.71	1.90	43.3	19.4
				1300	40.2	2.39	32.0	98.6	4.92	1300	38.4	28.8	0.75	1.96	45.1	19.5
	9.0	3.0	6.9	1100	39.9	2.42	31.6	103.6	4.82	1100	37.2	27.0	0.73	1.85	43.5	20.1
80	5.0	1.1	2.5	1100	41.3	2.41	33.0	99.4	5.01	1300	38.9	29.9	0.77	1.93	45.4	20.2
				1100	39.9	2.42	31.6	103.6	4.83	1100	34.1	24.2	0.71	2.15	41.5	15.9
	7.0	1.8	4.2	1300	41.3	2.40	33.1	99.4	5.04	1300	35.5	26.9	0.76	2.21	43.0	16.0
				1100	42.2	2.52	33.6	105.5	4.91	1100	35.1	24.5	0.70	2.07	42.1	16.9
	9.0	2.9	6.7	1300	43.6	2.49	35.1	101.1	5.13	1300	36.5	27.1	0.74	2.13	43.8	17.1
90	5.0	1.0	2.4	1100	43.4	2.55	34.7	106.5	4.99	1100	35.4	25.1	0.71	2.03	42.4	17.5
				1300	44.9	2.51	36.3	102.0	5.24	1300	36.9	27.8	0.75	2.09	44.0	17.6
	7.0	1.8	4.1	1100	42.8	2.52	34.2	106.0	4.97	1100	32.4	22.6	0.70	2.31	40.3	14.0
				1300	44.3	2.49	35.8	101.6	5.23	1300	33.5	25.2	0.75	2.37	41.6	14.1
	9.0	2.8	6.5	1100	45.5	2.64	36.5	108.3	5.05	1100	33.3	22.9	0.69	2.25	41.0	14.8
100	5.0	1.0	2.3	1300	47.1	2.59	38.3	103.5	5.33	1300	34.6	25.4	0.74	2.31	42.4	15.0
				1100	46.9	2.68	37.8	109.5	5.14	1100	33.7	23.1	0.69	2.21	41.3	15.2
	7.0	1.6	3.8	1300	48.5	2.61	39.6	104.6	5.45	1300	35.0	25.6	0.73	2.26	42.7	15.5
				1100	42.8	2.52	34.2	106.0	4.97	Operation not recommended						
	9.0	2.7	6.2	Operation not recommended						1100	31.9	23.6	0.74	2.56	40.7	12.4
110	5.0	1.0	2.2	Operation not recommended						1300	33.0	26.2	0.80	2.60	41.8	12.7
				Operation not recommended						1100	32.3	23.6	0.73	2.52	40.9	12.8
	7.0	1.6	3.8	Operation not recommended						1300	33.3	26.1	0.78	2.56	42.0	13.0
				Operation not recommended						1100	30.5	24.4	0.80	2.88	40.3	10.6
	9.0	2.6	6.0	Operation not recommended						1300	31.3	27.1	0.86	2.90	41.3	10.8
120	5.0	0.9	2.1	Operation not recommended						1100	30.8	24.0	0.78	2.83	40.5	10.9
				Operation not recommended						1300	31.7	26.5	0.84	2.86	41.4	11.1
	7.0	1.6	3.6	Operation not recommended						1100	28.8	23.8	0.83	3.18	39.6	9.0
				Operation not recommended						1300	29.3	25.8	0.88	3.26	40.4	9.0
	9.0	2.5	5.8	Operation not recommended						1100	29.0	23.8	0.82	3.08	39.5	9.4
Operation not recommended						1300	29.6	25.8	0.87	3.18	40.5	9.3				

7/29/17

WaterFurnace works continually to improve its products. As a result, the design and specifications of each product at the time of order may be changed without notice. Please contact WaterFurnace at 1-888-929-2837 for latest design and specifications. Purchaser's approval of this data set signifies that the equipment is acceptable under the provisions of the job specification. Statements and other information contained herein are not express warranties and do not form the basis of any bargain between the parties, but are merely WaterFurnace's opinion or commendation of its products. The latest version of this document is available at www.waterfurnace.com.

Contractor: _____ P.O.: _____

Engineer: _____

Project Name: _____ Unit Tag: _____

**5 SERIES 506A11
OUTDOOR PACKAGED HEAT PUMP**



Performance Data cont.

049 - Dual Capacity - Part Load (1450 cfm)

EWT °F	Flow Rate GPM	WPD		HEATING - EAT 70°F						COOLING - EAT 80/67 °F						
		PSI	FT/HD	Airflow CFM	HC MBtu/h	Power kW	HE MBtu/h	LAT °F	COP	Airflow CFM	TC Mbtu/h	SC Mbtu/h	S/T Ratio	Power kW	HR Mbtu/h	EER
20	5.0	0.9	2.2	Operation not recommended						Operation not recommended						
	8.0	2.0	4.6	Operation not recommended						Operation not recommended						
	11.0	3.4	7.8	1250	21.2	2.10	14.1	85.7	2.96	Operation not recommended						
30	5.0	0.9	2.1	Operation not recommended						Operation not recommended						
				Operation not recommended						Operation not recommended						
	8.0	1.9	4.5	1250	24.5	2.13	17.2	88.1	3.36	1250	33.8	23.4	0.69	1.05	37.4	32.3
				1450	25.2	2.15	17.9	86.1	3.44	1450	34.4	25.5	0.74	1.10	38.1	31.2
11.0	3.3	7.6	1250	25.1	2.15	17.8	88.6	3.42	1250	34.0	23.4	0.69	1.02	37.5	33.5	
			1450	26.0	2.18	18.6	86.6	3.50	1450	34.8	25.5	0.73	1.07	38.5	32.7	
40	5.0	0.9	2.0	Operation not recommended						Operation not recommended						
				Operation not recommended						Operation not recommended						
	8.0	1.9	4.3	1250	28.3	2.16	20.9	90.9	3.83	1250	36.6	26.3	0.72	1.18	40.6	30.9
				1450	29.3	2.16	21.9	88.7	3.96	1450	37.2	28.8	0.77	1.24	41.5	30.0
11.0	3.2	7.4	1250	29.2	2.18	21.8	91.6	3.93	1250	36.8	26.3	0.72	1.15	40.8	32.1	
			1450	30.2	2.19	22.7	89.3	4.04	1450	37.7	28.8	0.76	1.20	41.8	31.4	
50	5.0	0.9	2.0	1250	29.7	2.12	22.5	92.0	4.11	1250	38.2	27.0	0.71	1.56	43.6	24.6
				1450	30.7	2.12	23.4	89.6	4.24	1450	39.4	31.9	0.81	1.62	45.0	24.3
	8.0	1.8	4.2	1250	32.1	2.19	24.6	93.7	4.29	1250	39.1	27.2	0.69	1.35	43.7	29.0
				1450	33.3	2.18	25.9	91.3	4.48	1450	40.3	32.0	0.79	1.41	45.1	28.5
	11.0	3.1	7.2	1250	33.3	2.21	25.8	94.7	4.42	1250	39.3	27.2	0.69	1.27	43.6	31.0
1450				34.4	2.21	26.8	91.9	4.57	1450	40.5	32.0	0.79	1.33	45.1	30.4	
60	5.0	0.8	1.9	1250	32.3	2.17	24.9	94.0	4.37	1250	37.5	26.7	0.71	1.74	43.4	21.6
				1450	33.5	2.16	26.1	91.4	4.55	1450	38.7	31.4	0.81	1.81	44.9	21.3
	8.0	1.8	4.1	1250	35.0	2.22	27.4	95.9	4.61	1250	38.1	26.9	0.70	1.54	43.4	24.7
				1450	36.4	2.20	28.9	93.2	4.85	1450	39.3	31.6	0.80	1.61	44.8	24.4
	11.0	3.0	6.9	1250	36.5	2.24	28.8	97.0	4.76	1250	38.5	26.9	0.70	1.46	43.5	26.3
1450				37.8	2.22	30.2	94.1	4.99	1450	39.7	31.7	0.80	1.53	44.9	26.0	
70	5.0	0.8	1.8	1250	35.0	2.22	27.4	95.9	4.62	1250	36.8	26.3	0.72	1.92	43.3	19.2
				1450	36.3	2.19	28.9	93.2	4.86	1450	37.9	31.0	0.82	2.01	44.8	18.9
	8.0	1.7	3.9	1250	38.0	2.26	30.3	98.1	4.93	1250	37.1	26.6	0.72	1.74	43.1	21.4
				1450	39.4	2.22	31.9	95.2	5.21	1450	38.3	31.2	0.82	1.81	44.5	21.1
	11.0	2.9	6.7	1250	39.7	2.28	31.9	99.4	5.10	1250	37.8	26.7	0.71	1.66	43.4	22.8
1450				41.2	2.23	33.6	96.3	5.41	1450	38.9	31.4	0.81	1.72	44.8	22.6	
80	5.0	0.8	1.8	1250	37.7	2.25	30.0	97.9	4.90	1250	34.6	25.5	0.74	2.15	41.9	16.1
				1450	39.2	2.21	31.6	95.0	5.18	1450	35.7	30.0	0.84	2.25	43.4	15.9
	8.0	1.6	3.8	1250	40.9	2.28	33.2	100.3	5.27	1250	34.8	25.8	0.74	2.00	41.6	17.4
				1450	42.6	2.22	35.0	97.2	5.62	1450	35.8	30.3	0.85	2.08	42.9	17.2
	11.0	2.8	6.5	1250	43.0	2.30	35.2	101.9	5.47	1250	35.6	26.0	0.73	1.91	42.1	18.6
1450				44.7	2.24	37.1	98.6	5.85	1450	36.7	30.5	0.83	1.99	43.5	18.4	
90	5.0	0.7	1.7	1250	40.4	2.29	32.6	99.9	5.18	1250	32.4	24.7	0.76	2.39	40.6	13.6
				1450	42.0	2.24	34.3	96.8	5.50	1450	33.5	29.0	0.87	2.49	41.9	13.5
	8.0	1.6	3.7	1250	43.9	2.30	36.1	102.5	5.60	1250	32.4	25.0	0.77	2.27	40.2	14.3
				1450	45.7	2.23	38.2	99.2	6.03	1450	33.3	29.4	0.88	2.35	41.3	14.2
	11.0	2.7	6.2	1250	46.3	2.33	38.4	104.3	5.84	1250	33.3	25.3	0.76	2.17	40.7	15.4
1450				48.3	2.25	40.6	100.8	6.29	1450	34.4	29.7	0.86	2.27	42.1	15.2	
100	5.0	0.7	1.7	Operation not recommended						Operation not recommended						
	8.0	1.5	3.5	Operation not recommended						Operation not recommended						
				1250	30.0	2.39	0.80	2.58	38.8	11.6	1450	30.9	28.1	0.91	2.68	40.0
11.0	2.6	6.0	Operation not recommended						Operation not recommended							
			1250	31.1	2.42	0.78	2.48	39.6	12.5	1450	32.0	28.4	0.89	2.59	40.9	12.4
110	5.0	0.7	1.6	Operation not recommended						Operation not recommended						
	8.0	1.5	3.4	Operation not recommended						Operation not recommended						
				1250	27.6	2.27	0.83	2.89	37.4	9.5	1450	28.5	26.7	0.94	3.01	38.7
11.0	2.5	5.8	Operation not recommended						Operation not recommended							
			1250	28.9	2.31	0.80	2.80	38.4	10.3	1450	29.7	27.2	0.92	2.92	39.6	10.2
120	5.0	0.7	1.5	Operation not recommended						Operation not recommended						
	8.0	1.4	3.3	Operation not recommended						Operation not recommended						
				1250	25.9	2.36	0.91	3.31	37.2	7.8	1450	26.3	25.6	0.97	3.40	37.9
	11.0	2.4	5.6	Operation not recommended						Operation not recommended						
1250				26.1	2.36	0.91	3.20	37.0	8.1	1450	26.6	25.6	0.96	3.31	37.9	8.1

7/29/17

WaterFurnace works continually to improve its products. As a result, the design and specifications of each product at the time of order may be changed without notice. Please contact WaterFurnace at 1-888-929-2837 for latest design and specifications. Purchaser's approval of this data set signifies that the equipment is acceptable under the provisions of the job specification. Statements and other information contained herein are not express warranties and do not form the basis of any bargain between the parties, but are merely WaterFurnace's opinion or commendation of its products. The latest version of this document is available at www.waterfurnace.com.

Contractor: _____ P.O.: _____

Engineer: _____

Project Name: _____ Unit Tag: _____

**5 SERIES 506A11
OUTDOOR PACKAGED HEAT PUMP**



Performance Data cont.

049 - Dual Capacity - Full Load (1700 cfm)

EWT °F	Flow Rate GPM	WPD		HEATING - EAT 70°F						COOLING - EAT 80/67 °F						
		PSI	FT/HD	Airflow CFM	HC MBtu/h	Power kW	HE MBtu/h	LAT °F	COP	Airflow CFM	TC Mbtu/h	SC Mbtu/h	S/T Ratio	Power kW	HR Mbtu/h	EER
20	6.0	1.3	3.0	Operation not recommended						Operation not recommended						
	9.0	2.5	5.7	Operation not recommended						Operation not recommended						
	12.0	4.0	9.2	1500	37.0	2.91	22.8	90.2	3.30	Operation not recommended						
30	6.0	1.2	2.9	Operation not recommended						Operation not recommended						
				1500	37.0	2.99	26.8	92.8	3.63	1500	45.9	31.6	0.69	1.82	52.1	25.2
	9.0	2.4	5.5	1700	38.1	3.01	27.9	90.8	3.71	1700	46.7	34.5	0.74	1.92	53.2	24.3
	12.0	3.9	8.9	1500	37.9	3.01	27.6	93.4	3.69	1500	46.2	31.6	0.68	1.77	52.2	26.1
1700				39.3	3.05	28.9	91.4	3.77	1700	47.3	34.5	0.73	1.85	53.6	25.5	
40	6.0	1.2	2.8	Operation not recommended						Operation not recommended						
				1500	41.3	3.10	30.8	95.5	3.91	1500	49.4	34.2	0.69	2.04	56.4	24.3
	9.0	2.3	5.3	1700	42.8	3.10	32.2	93.3	4.05	1700	50.4	37.4	0.74	2.14	57.6	23.6
	12.0	3.7	8.7	1500	42.7	3.12	32.0	96.4	4.01	1500	49.8	34.2	0.69	1.98	56.6	25.2
1700				44.1	3.14	33.4	94.0	4.12	1700	50.9	37.4	0.73	2.07	58.0	24.6	
50	6.0	1.2	2.7	1500	42.4	3.11	31.8	96.2	4.00	1500	51.5	33.9	0.66	2.66	60.6	19.4
				1700	43.8	3.11	33.2	93.8	4.13	1700	53.1	40.0	0.75	2.77	62.6	19.2
	9.0	2.2	5.2	1500	45.7	3.21	34.8	98.2	4.18	1500	52.7	34.1	0.65	2.30	60.5	22.9
				1700	47.5	3.19	36.6	95.9	4.36	1700	54.3	40.2	0.74	2.41	62.5	22.5
12.0	3.6	8.4	1500	47.5	3.23	36.5	99.3	4.31	1500	53.0	34.1	0.64	2.17	60.4	24.4	
			1700	49.0	3.23	38.0	96.7	4.45	1700	54.6	40.2	0.74	2.28	62.4	23.9	
60	6.0	1.1	2.6	1500	46.8	3.26	35.7	98.9	4.20	1500	50.4	33.7	0.67	2.85	60.1	17.7
				1700	48.5	3.24	37.4	96.4	4.38	1700	52.0	39.7	0.76	2.98	62.1	17.5
	9.0	2.2	5.0	1500	50.6	3.35	39.2	101.3	4.44	1500	51.2	33.9	0.66	2.53	59.9	20.2
				1700	52.6	3.30	41.3	98.7	4.67	1700	52.8	39.9	0.76	2.65	61.8	19.9
12.0	3.5	8.1	1500	52.8	3.38	41.3	102.6	4.58	1500	51.8	34.0	0.66	2.40	60.0	21.6	
			1700	54.7	3.34	43.3	99.8	4.80	1700	53.4	40.0	0.75	2.51	62.0	21.3	
70	6.0	1.1	2.5	1500	51.2	3.42	39.5	101.6	4.39	1500	49.3	33.4	0.68	3.05	59.7	16.2
				1700	53.2	3.38	41.7	99.0	4.61	1700	50.8	39.3	0.77	3.19	61.7	15.9
	9.0	2.1	4.9	1500	55.6	3.48	43.7	104.3	4.68	1500	49.8	33.8	0.68	2.76	59.2	18.0
				1700	57.8	3.42	46.1	101.5	4.95	1700	51.3	39.7	0.77	2.88	61.2	17.8
12.0	3.4	7.9	1500	58.1	3.52	46.1	105.9	4.84	1500	50.7	33.9	0.67	2.64	59.7	19.2	
			1700	60.3	3.44	48.6	102.8	5.14	1700	52.2	39.8	0.76	2.74	61.6	19.1	
80	6.0	1.1	2.5	1500	55.4	3.59	43.2	104.2	4.53	1500	46.9	32.7	0.70	3.25	58.0	14.4
				1700	57.6	3.52	45.6	101.4	4.79	1700	48.4	38.4	0.79	3.40	60.0	14.2
	9.0	2.0	4.7	1500	60.2	3.63	47.9	107.2	4.87	1500	47.2	33.0	0.70	3.02	57.5	15.6
				1700	62.7	3.53	50.6	104.1	5.20	1700	48.5	38.8	0.80	3.14	59.3	15.4
12.0	3.3	7.6	1500	63.3	3.67	50.8	109.1	5.06	1500	48.2	33.3	0.69	2.89	58.1	16.7	
			1700	65.8	3.57	53.7	105.8	5.41	1700	49.7	39.1	0.79	3.01	60.0	16.5	
90	6.0	1.0	2.4	1500	59.7	3.75	46.9	106.8	4.66	1500	44.5	31.9	0.72	3.47	56.3	12.8
				1700	62.0	3.67	49.5	103.8	4.95	1700	45.9	37.5	0.82	3.61	58.2	12.7
	9.0	2.0	4.5	1500	64.9	3.77	52.0	110.1	5.04	1500	44.5	32.3	0.73	3.29	55.7	13.5
				1700	67.6	3.65	55.1	106.8	5.43	1700	45.7	38.0	0.83	3.41	57.4	13.4
12.0	3.2	7.3	1500	68.5	3.81	55.5	112.3	5.26	1500	45.7	32.6	0.71	3.15	56.5	14.5	
			1700	71.3	3.69	58.7	108.9	5.67	1700	47.2	38.4	0.81	3.29	58.4	14.3	
100	6.0	1.0	2.3	Operation not recommended						Operation not recommended						
				1500	41.7	31.2	0.75	3.64	54.1	11.4	1700	42.9	36.7	0.86	3.78	55.9
	9.0	1.9	4.4	Operation not recommended						Operation not recommended						
				1500	43.2	31.6	0.73	3.51	55.2	12.3	1700	44.5	37.2	0.84	3.66	57.0
110	6.0	1.0	2.2	Operation not recommended						Operation not recommended						
				1500	38.8	30.1	0.78	3.99	52.5	9.7	1700	40.1	35.4	0.88	4.16	54.3
	9.0	1.8	4.2	Operation not recommended						Operation not recommended						
				1500	40.7	30.7	0.75	3.87	53.9	10.5	1700	41.8	36.0	0.86	4.03	55.6
120	6.0	0.9	2.1	Operation not recommended						Operation not recommended						
				1500	38.9	32.0	0.82	4.50	54.3	8.6	1700	39.6	34.7	0.88	4.62	55.4
	9.0	1.7	4.0	Operation not recommended						Operation not recommended						
				1500	39.1	32.0	0.82	4.36	53.9	9.0	1700	40.1	34.7	0.87	4.49	55.4
12.0	2.8	6.5	Operation not recommended						Operation not recommended							
			1500	38.9	32.0	0.82	4.50	54.3	8.6	1700	39.6	34.7	0.88	4.62	55.4	8.6

7/29/17

WaterFurnace works continually to improve its products. As a result, the design and specifications of each product at the time of order may be changed without notice. Please contact WaterFurnace at 1-888-929-2837 for latest design and specifications. Purchaser's approval of this data set signifies that the equipment is acceptable under the provisions of the job specification. Statements and other information contained herein are not express warranties and do not form the basis of any bargain between the parties, but are merely WaterFurnace's opinion or commendation of its products. The latest version of this document is available at www.waterfurnace.com.

Contractor: _____ P.O.: _____

Engineer: _____

Project Name: _____ Unit Tag: _____

**5 SERIES 506A11
OUTDOOR PACKAGED HEAT PUMP**



Performance Data cont.

064 - Dual Capacity - Part Load (1600 cfm)

EWT °F	Flow Rate GPM	WPD		HEATING - EAT 70°F						COOLING - EAT 80/67 °F							
		PSI	FT/HD	Airflow CFM	HC MBtu/h	Power kW	HE MBtu/h	LAT °F	COP	Airflow CFM	TC Mbtu/h	SC Mbtu/h	S/T Ratio	Power kW	HR Mbtu/h	EER	
20	6.0	1.1	2.4	Operation not recommended						Operation not recommended							
	10.0	2.7	6.2	Operation not recommended						Operation not recommended							
	14.0	5.1	11.9	1350	25.3	2.58	16.5	87.3	2.87	Operation not recommended							
				1600	26.1	2.61	17.2	85.1	2.93	Operation not recommended							
30	6.0	1.0	2.4	Operation not recommended						Operation not recommended							
	10.0	2.6	6.0	1350	28.5	2.62	19.6	89.6	3.19	1350	41.8	30.5	0.73	1.37	46.5	30.6	
				1600	29.5	2.65	20.5	87.1	3.26	1600	42.5	33.3	0.78	1.44	47.4	29.5	
				1350	29.5	2.62	20.6	90.3	3.30	1350	42.0	30.5	0.72	1.33	46.6	31.7	
	14.0	5.0	11.6	1600	30.5	2.65	21.5	87.7	3.37	1600	43.1	33.3	0.77	1.39	47.8	30.9	
40	6.0	1.0	2.3	Operation not recommended						Operation not recommended							
	10.0	2.5	5.9	1350	33.8	2.66	24.7	93.2	3.72	1350	46.0	32.7	0.71	1.53	51.3	30.1	
				1600	34.7	2.67	25.6	90.1	3.81	1600	46.9	35.7	0.76	1.60	52.4	29.2	
				1350	34.9	2.67	25.8	93.9	3.83	1350	46.4	32.7	0.71	1.49	51.5	31.2	
				1600	35.8	2.68	26.7	90.7	3.92	1600	47.4	35.7	0.75	1.55	52.7	30.5	
14.0	4.8	11.2	1350	38.5	2.66	29.4	96.4	4.24	1350	50.1	33.4	0.67	1.73	56.0	29.0		
50	6.0	1.0	2.2	1600	39.5	2.66	30.4	92.9	4.35	1600	51.6	37.9	0.73	1.82	57.8	28.3	
				1350	39.1	2.71	29.8	96.8	4.22	1350	50.2	33.6	0.67	1.67	55.9	30.1	
	10.0	2.5	5.7	1600	39.9	2.69	30.8	93.1	4.35	1600	51.7	38.2	0.74	1.74	57.6	29.6	
				1350	40.2	2.73	30.9	97.6	4.33	1350	50.4	33.6	0.67	1.63	55.9	30.8	
				1600	41.1	2.71	31.9	93.8	4.45	1600	51.8	38.2	0.74	1.71	57.7	30.3	
14.0	4.7	10.9	1350	43.8	2.80	34.3	100.0	4.59	1350	47.0	32.3	0.69	1.98	53.8	23.8		
60	6.0	0.9	2.2	1600	44.7	2.77	35.3	95.9	4.73	1600	48.4	36.5	0.75	2.07	55.5	23.4	
				1350	45.2	2.85	35.5	101.0	4.65	1350	47.2	32.6	0.69	1.92	53.8	24.6	
	10.0	2.4	5.5	1600	45.9	2.81	36.3	96.6	4.79	1600	48.6	36.8	0.76	2.00	55.5	24.3	
				1350	46.3	2.87	36.5	101.7	4.72	1350	47.4	32.7	0.69	1.88	53.8	25.3	
				1600	47.0	2.83	37.3	97.2	4.86	1600	48.8	36.9	0.76	1.96	55.5	24.9	
70	6.0	0.9	2.1	1350	49.2	2.93	39.2	103.7	4.91	1350	44.0	31.3	0.71	2.23	51.6	19.7	
				1600	50.0	2.88	40.2	98.9	5.08	1600	45.3	35.1	0.77	2.32	53.3	19.5	
	10.0	2.3	5.3	1350	51.3	2.98	41.1	105.2	5.04	1350	44.2	31.6	0.71	2.17	51.6	20.4	
				1600	51.8	2.92	41.9	100.0	5.21	1600	45.6	35.5	0.78	2.26	53.3	20.2	
				1350	52.2	3.02	42.0	105.8	5.08	1350	44.5	31.7	0.71	2.12	51.7	21.0	
14.0	4.4	10.2	1600	52.8	2.95	42.7	100.6	5.25	1600	45.9	35.6	0.78	2.21	53.4	20.7		
			1350	53.6	3.03	43.3	106.8	5.20	1350	41.0	29.6	0.72	2.56	49.7	16.0		
80	6.0	0.9	2.0	1600	54.1	2.96	44.0	101.3	5.36	1600	42.2	33.0	0.78	2.65	51.3	15.9	
				1350	56.7	3.07	46.2	108.9	5.40	1350	41.3	29.9	0.72	2.50	49.9	16.5	
	10.0	2.2	5.1	1600	56.9	2.98	46.8	102.9	5.59	1600	42.6	33.5	0.79	2.60	51.4	16.4	
				1350	57.3	3.12	46.7	109.3	5.39	1350	41.6	30.1	0.72	2.46	50.0	16.9	
				1600	57.6	3.03	47.2	103.3	5.58	1600	42.9	33.7	0.78	2.55	51.6	16.9	
90	6.0	0.8	1.9	1350	58.1	3.12	47.5	109.9	5.47	1350	38.0	27.9	0.73	2.90	47.9	13.1	
				1600	58.3	3.03	47.9	103.7	5.63	1600	39.2	31.0	0.79	2.98	49.3	13.1	
	10.0	2.1	5.0	1350	62.0	3.17	51.2	112.5	5.74	1350	38.4	28.2	0.73	2.83	48.1	13.6	
				1600	62.0	3.05	51.6	105.9	5.96	1600	39.6	31.4	0.79	2.93	49.6	13.5	
				1350	62.4	3.21	51.5	112.8	5.69	1350	38.7	28.5	0.74	2.80	48.3	13.8	
14.0	4.1	9.5	1600	62.3	3.10	51.7	106.1	5.89	1600	40.0	31.7	0.79	2.88	49.8	13.9		
100	6.0	0.8	1.9	Operation not recommended						Operation not recommended							
	10.0	2.1	4.8	1350	35.4	26.4	0.74	3.24	46.5	10.9	Operation not recommended						
				1600	36.5	29.2	0.80	3.32	47.8	11.0	Operation not recommended						
				1350	35.8	26.7	0.75	3.20	46.7	11.2	Operation not recommended						
				1600	36.9	29.5	0.80	3.27	48.1	11.3	Operation not recommended						
110	6.0	0.8	1.8	Operation not recommended						Operation not recommended							
	10.0	2.0	4.6	1350	32.4	24.6	0.76	3.65	44.8	8.9	Operation not recommended						
				1600	33.4	27.0	0.81	3.72	46.1	9.0	Operation not recommended						
				1350	32.8	25.0	0.76	3.59	45.1	9.1	Operation not recommended						
				1600	33.9	27.4	0.81	3.67	46.4	9.2	Operation not recommended						
120	6.0	0.7	1.7	Operation not recommended						Operation not recommended							
				1350	29.7	21.9	0.74	4.15	43.8	7.1	Operation not recommended						
	10.0	1.9	4.4	1600	30.2	23.8	0.79	4.26	44.7	7.1	Operation not recommended						
				1350	29.9	21.9	0.73	4.02	43.6	7.4	Operation not recommended						
14.0	3.7	8.4	1600	30.5	23.8	0.78	4.15	44.7	7.4	Operation not recommended							

7/29/17

WaterFurnace works continually to improve its products. As a result, the design and specifications of each product at the time of order may be changed without notice. Please contact WaterFurnace at 1-888-929-2837 for latest design and specifications. Purchaser's approval of this data set signifies that the equipment is acceptable under the provisions of the job specification. Statements and other information contained herein are not express warranties and do not form the basis of any bargain between the parties, but are merely WaterFurnace's opinion or commendation of its products. The latest version of this document is available at www.waterfurnace.com.

Contractor: _____ P.O.: _____

Engineer: _____

Project Name: _____ Unit Tag: _____

**5 SERIES 506A11
OUTDOOR PACKAGED HEAT PUMP**



Performance Data cont.

064 - Dual Capacity - Full Load (1800 cfm)

EWT °F	Flow Rate GPM	WPD		HEATING - EAT 70°F						COOLING - EAT 80/67 °F						
		PSI	FT/HD	Airflow CFM	HC MBtu/h	Power kW	HE MBtu/h	LAT °F	COP	Airflow CFM	TC Mbtu/h	SC Mbtu/h	S/T Ratio	Power kW	HR Mbtu/h	EER
20	8.0	1.9	4.3	Operation not recommended						Operation not recommended						
	12.0	3.9	8.9	Operation not recommended						Operation not recommended						
	16.0	6.6	15.1	1500	39.8	3.36	28.3	94.5	3.46	Operation not recommended						
				1800	40.7	3.52	28.7	90.9	3.39	Operation not recommended						
30	8.0	1.8	4.2	Operation not recommended						Operation not recommended						
	12.0	3.7	8.7	1500	45.9	3.42	34.2	98.3	3.93	1500	58.1	39.7	0.68	2.36	66.1	24.6
				1800	47.1	3.64	34.7	94.2	3.79	1800	59.0	43.4	0.74	2.49	67.5	23.7
	16.0	6.4	14.7	1500	46.5	3.51	34.5	98.7	3.88	1500	58.4	39.7	0.68	2.29	66.2	25.5
				1800	47.6	3.68	35.1	94.5	3.80	1800	59.8	43.4	0.73	2.40	68.0	24.9
40	8.0	1.8	4.1	Operation not recommended						Operation not recommended						
	12.0	3.6	8.4	1500	51.9	3.62	39.6	102.1	4.20	1500	61.8	41.4	0.67	2.61	70.7	23.6
				1800	53.1	3.78	40.2	97.3	4.12	1800	63.0	45.2	0.72	2.74	72.3	23.0
	16.0	6.2	14.3	1500	52.7	3.68	40.2	102.5	4.19	1500	62.3	41.4	0.66	2.54	71.0	24.6
				1800	53.9	3.81	40.9	97.7	4.14	1800	63.7	45.2	0.71	2.65	72.8	24.0
50	8.0	1.7	3.9	1500	54.8	3.74	42.1	103.8	4.29	1500	65.0	42.4	0.65	2.84	74.6	22.9
				1800	56.0	3.86	42.8	98.8	4.26	1800	66.3	46.1	0.70	3.02	76.6	22.0
	12.0	3.5	8.1	1500	58.0	3.81	45.0	105.8	4.46	1500	65.6	42.8	0.65	2.78	75.1	23.6
				1800	59.2	3.91	45.8	100.4	4.44	1800	67.0	46.6	0.70	2.95	77.0	22.7
	16.0	6.0	13.8	1500	59.0	3.86	45.8	106.4	4.48	1500	66.3	43.3	0.65	2.73	75.6	24.3
1800				60.2	3.95	46.7	101.0	4.47	1800	67.6	47.0	0.70	2.90	77.5	23.3	
60	8.0	1.7	3.8	1500	61.8	4.02	48.1	108.1	4.51	1500	62.2	41.7	0.67	3.09	72.7	20.1
				1800	63.1	4.08	49.2	102.5	4.53	1800	63.8	45.3	0.71	3.28	75.0	19.4
	12.0	3.4	7.9	1500	64.6	4.08	50.7	109.9	4.64	1500	62.8	42.0	0.67	3.02	73.1	20.8
				1800	66.0	4.13	51.9	104.0	4.68	1800	64.4	45.7	0.71	3.21	75.4	20.0
	16.0	5.8	13.4	1500	66.0	4.13	51.9	110.8	4.69	1500	63.4	42.5	0.67	2.97	73.6	21.3
1800				67.5	4.18	53.3	104.7	4.74	1800	65.0	46.1	0.71	3.16	75.8	20.6	
70	8.0	1.6	3.7	1500	68.8	4.29	54.1	112.4	4.70	1500	59.4	40.9	0.69	3.34	70.8	17.8
				1800	70.3	4.31	55.6	106.1	4.78	1800	61.2	44.4	0.73	3.55	73.3	17.2
	12.0	3.3	7.6	1500	71.3	4.35	56.4	114.0	4.80	1500	60.0	41.3	0.69	3.27	71.1	18.3
				1800	72.9	4.36	58.0	107.5	4.90	1800	61.9	44.8	0.72	3.48	73.8	17.8
	16.0	5.6	12.9	1500	73.1	4.40	58.1	115.1	4.87	1500	60.5	41.7	0.69	3.21	71.5	18.8
1800				74.8	4.40	59.8	108.5	4.98	1800	62.5	45.3	0.73	3.42	74.1	18.3	
80	8.0	1.5	3.6	1500	75.2	4.57	59.6	116.4	4.83	1500	56.4	39.4	0.70	3.67	68.9	15.4
				1800	77.0	4.54	61.5	109.6	4.97	1800	58.5	42.8	0.73	3.91	71.8	15.0
	12.0	3.2	7.4	1500	77.0	4.63	61.2	117.5	4.88	1500	57.0	39.8	0.70	3.60	69.3	15.8
				1800	78.9	4.58	63.2	110.6	5.05	1800	59.1	43.2	0.73	3.83	72.1	15.4
	16.0	5.4	12.5	1500	79.4	4.68	63.4	119.0	4.97	1500	57.5	40.2	0.70	3.54	69.6	16.3
1800				81.3	4.63	65.6	111.8	5.15	1800	59.7	43.7	0.73	3.76	72.5	15.9	
90	8.0	1.5	3.4	1500	81.7	4.85	65.2	120.4	4.94	1500	53.4	38.0	0.71	4.00	67.0	13.3
				1800	83.7	4.78	67.4	113.0	5.13	1800	55.7	41.2	0.74	4.26	70.3	13.1
	12.0	3.1	7.1	1500	82.8	4.90	66.1	121.1	4.95	1500	54.0	38.3	0.71	3.92	67.4	13.8
				1800	84.8	4.80	68.5	113.6	5.18	1800	56.3	41.6	0.74	4.18	70.5	13.5
	16.0	5.2	12.1	1500	85.6	4.96	68.7	122.9	5.06	1500	54.5	38.8	0.71	3.86	67.7	14.1
1800				87.9	4.85	71.3	115.2	5.31	1800	56.9	42.0	0.74	4.11	70.9	13.8	
100	8.0	1.4	3.3	Operation not recommended						Operation not recommended						
	12.0	3.0	6.8	Operation not recommended						1500	50.0	35.7	0.71	4.36	64.9	11.5
				1800	52.4	38.8	0.74	4.65	68.2	11.3						
	16.0	5.0	11.6	Operation not recommended						1500	50.5	36.1	0.71	4.29	65.1	11.8
1800				52.9	39.2	0.74	4.57	68.5	11.6							
110	8.0	1.4	3.2	Operation not recommended						Operation not recommended						
	12.0	2.9	6.6	Operation not recommended						1500	46.0	33.1	0.72	4.81	62.4	9.6
				1800	48.5	35.9	0.74	5.13	66.0	9.5						
	16.0	4.8	11.2	Operation not recommended						1500	46.5	33.4	0.72	4.72	62.6	9.8
1800				48.9	36.3	0.74	5.04	66.1	9.7							
120	8.0	1.3	3.1	Operation not recommended						Operation not recommended						
	12.0	2.7	6.3	Operation not recommended						1500	45.6	32.3	0.71	5.58	64.7	8.2
				1800	46.5	35.0	0.75	5.73	66.0	8.1						
	16.0	4.6	10.7	Operation not recommended						1500	46.0	32.3	0.70	5.40	64.5	8.5
1800				47.0	35.0	0.74	5.57	66.0	8.4							

7/29/17 ADL

WaterFurnace works continually to improve its products. As a result, the design and specifications of each product at the time of order may be changed without notice. Please contact WaterFurnace at 1-888-929-2837 for latest design and specifications. Purchaser's approval of this data set signifies that the equipment is acceptable under the provisions of the job specification. Statements and other information contained herein are not express warranties and do not form the basis of any bargain between the parties, but are merely WaterFurnace's opinion or commendation of its products. The latest version of this document is available at www.waterfurnace.com.

Contractor: _____ P.O.: _____

Engineer: _____

Project Name: _____ Unit Tag: _____

**5 SERIES 506A11
OUTDOOR PACKAGED HEAT PUMP**



Performance Data cont.

072 - Dual Capacity - Part Load (1600 cfm)

EWT °F	Flow Rate GPM	WPD		HEATING - EAT 70°F						COOLING - EAT 80/67 °F						
		PSI	FT/HD	Airflow CFM	HC MBtu/h	Power kW	HE MBtu/h	LAT °F	COP	Airflow CFM	TC Mbtu/h	SC Mbtu/h	S/T Ratio	Power kW	HR Mbtu/h	EER
20	10.0	2.3	5.4	Operation not recommended						Operation not recommended						
	13.0	3.5	8.1	Operation not recommended						Operation not recommended						
	16.0	5.0	11.6	1300	35.9	3.50	23.9	95.5	3.01	Operation not recommended						
30	10.0	2.3	5.3	Operation not recommended						Operation not recommended						
				Operation not recommended						Operation not recommended						
	13.0	3.4	7.9	1300	38.8	3.60	26.5	97.7	3.16	1300	50.5	35.4	0.70	1.74	56.5	29.1
				1600	40.8	3.65	28.3	93.6	3.28	1600	51.4	38.7	0.75	1.83	57.6	28.1
	16.0	4.9	11.3	1300	40.5	3.60	28.3	98.9	3.30	1300	50.8	35.4	0.70	1.69	56.6	30.1
1600				42.5	3.65	30.0	94.6	3.41	1600	52.0	38.7	0.74	1.77	58.1	29.4	
40	10.0	2.2	5.1	Operation not recommended						Operation not recommended						
				Operation not recommended						Operation not recommended						
	13.0	3.3	7.6	1300	45.4	3.73	32.6	102.3	3.57	1300	54.1	37.0	0.68	2.00	60.9	27.1
				1600	47.3	3.74	34.6	97.4	3.71	1600	55.1	40.4	0.73	2.09	62.3	26.3
	16.0	4.7	11.0	1300	46.9	3.74	34.2	103.4	3.68	1300	54.5	37.0	0.68	1.94	61.1	28.2
1600				49.0	3.75	36.2	98.4	3.83	1600	55.7	40.4	0.72	2.03	62.7	27.5	
50	10.0	2.1	4.9	1300	51.1	3.81	38.1	106.4	3.93	1300	57.4	36.7	0.64	2.30	65.2	25.0
				1600	53.3	3.77	40.5	100.9	4.15	1600	59.2	41.6	0.70	2.42	67.4	24.5
	13.0	3.2	7.4	1300	51.8	3.85	38.7	106.9	3.94	1300	57.5	37.0	0.64	2.22	65.1	25.9
				1600	53.9	3.83	40.8	101.2	4.12	1600	59.3	42.1	0.71	2.34	67.3	25.4
	16.0	4.6	10.6	1300	53.3	3.87	40.1	108.0	4.04	1300	57.7	37.0	0.64	2.16	65.1	26.7
1600				55.6	3.85	42.5	102.2	4.23	1600	59.4	42.1	0.71	2.28	67.2	26.1	
60	10.0	2.1	4.8	1300	56.9	3.94	43.5	110.5	4.23	1300	54.6	36.2	0.66	2.57	63.3	21.2
				1600	59.3	3.86	46.1	104.3	4.50	1600	56.2	40.9	0.73	2.68	65.4	20.9
	13.0	3.1	7.2	1300	58.5	3.98	44.9	111.7	4.31	1300	54.8	36.6	0.67	2.49	63.3	22.0
				1600	60.8	3.91	47.5	105.2	4.56	1600	56.4	41.4	0.73	2.60	65.3	21.7
	16.0	4.4	10.3	1300	59.8	4.02	46.1	112.6	4.36	1300	55.0	36.7	0.67	2.44	63.3	22.6
1600				62.2	3.95	48.8	106.0	4.62	1600	56.7	41.5	0.73	2.54	65.4	22.3	
70	10.0	2.0	4.6	1300	62.8	4.07	48.9	114.7	4.52	1300	51.8	35.7	0.69	2.84	61.4	18.2
				1600	65.3	3.95	51.8	107.8	4.85	1600	53.3	40.2	0.76	2.95	63.3	18.0
	13.0	3.0	6.9	1300	65.1	4.11	51.1	116.4	4.64	1300	52.1	36.2	0.70	2.75	61.4	18.9
				1600	67.7	3.99	54.1	109.2	4.97	1600	53.6	40.7	0.76	2.86	63.3	18.7
	16.0	4.3	9.9	1300	66.3	4.17	52.1	117.2	4.66	1300	52.4	36.3	0.69	2.71	61.6	19.3
1600				68.9	4.05	55.0	109.9	4.98	1600	54.0	40.8	0.76	2.80	63.6	19.3	
80	10.0	1.9	4.5	1300	68.2	4.14	54.1	118.6	4.83	1300	49.0	34.5	0.70	3.27	60.2	15.0
				1600	70.7	3.99	57.1	110.9	5.19	1600	51.2	38.5	0.75	3.36	62.7	15.2
	13.0	2.9	6.7	1300	71.8	4.19	57.5	121.1	5.02	1300	50.1	34.8	0.70	3.18	60.9	15.7
				1600	74.4	4.02	60.6	113.0	5.42	1600	51.6	39.0	0.76	3.28	62.8	15.7
	16.0	4.2	9.6	1300	72.6	4.25	58.1	121.7	5.01	1300	50.5	35.1	0.69	3.14	61.2	16.1
1600				75.1	4.09	61.2	113.5	5.39	1600	51.3	39.2	0.76	3.22	62.3	15.9	
90	10.0	1.9	4.3	1300	73.6	4.20	59.3	122.4	5.13	1300	46.3	33.2	0.72	3.70	58.9	12.5
				1600	76.1	4.03	62.3	114.0	5.54	1600	47.7	36.9	0.77	3.77	60.6	12.6
	13.0	2.8	6.5	1300	78.4	4.26	63.8	125.8	5.39	1300	46.8	33.5	0.72	3.62	59.1	12.9
				1600	81.0	4.05	67.2	116.9	5.87	1600	48.2	37.3	0.77	3.70	60.8	13.0
	16.0	4.0	9.3	1300	78.9	4.32	64.1	126.2	5.35	1300	47.2	33.8	0.72	3.56	59.4	13.3
1600				81.3	4.13	67.3	117.1	5.78	1600	48.7	37.6	0.77	3.64	61.1	13.4	
100	10.0	1.8	4.2	Operation not recommended						Operation not recommended						
	13.0	2.7	6.2	Operation not recommended						1300	43.6	31.8	0.73	4.15	57.7	10.5
				1600	45.0	35.2	0.78	4.20	59.3	10.7						
	16.0	3.9	8.9	Operation not recommended						1300	44.2	32.2	0.73	4.09	58.1	10.8
1600				45.5	35.6	0.78	4.14	59.6	11.0							
110	10.0	1.7	4.0	Operation not recommended						Operation not recommended						
	13.0	2.6	6.0	Operation not recommended						1300	40.4	30.0	0.74	4.69	56.4	8.6
				1600	41.8	33.1	0.79	4.71	57.8	8.9						
	16.0	3.7	8.6	Operation not recommended						1300	41.1	30.5	0.74	4.63	56.9	8.9
1600				42.3	33.6	0.79	4.65	58.1	9.1							
120	10.0	1.7	3.8	Operation not recommended						Operation not recommended						
	13.0	2.5	5.8	Operation not recommended						1300	37.2	28.8	0.77	5.28	55.3	7.1
				1600	37.9	31.3	0.82	5.42	56.4	7.0						
	16.0	3.6	8.2	Operation not recommended						1300	37.6	28.8	0.77	5.11	55.0	7.4
1600				38.4	31.3	0.81	5.27	56.4	7.3							

7/29/17 ADL

WaterFurnace works continually to improve its products. As a result, the design and specifications of each product at the time of order may be changed without notice. Please contact WaterFurnace at 1-888-929-2837 for latest design and specifications. Purchaser's approval of this data set signifies that the equipment is acceptable under the provisions of the job specification. Statements and other information contained herein are not express warranties and do not form the basis of any bargain between the parties, but are merely WaterFurnace's opinion or commendation of its products. The latest version of this document is available at www.waterfurnace.com.

Contractor: _____ P.O.: _____

Engineer: _____

Project Name: _____ Unit Tag: _____

**5 SERIES 506A11
OUTDOOR PACKAGED HEAT PUMP**



Performance Data cont.

072 - Dual Capacity - Full Load (2100 cfm)

EWT °F	Flow Rate GPM	WPD		HEATING - EAT 70°F						COOLING - EAT 80/67 °F						
		PSI	FT/HD	Airflow CFM	HC MBtu/h	Power kW	HE MBtu/h	LAT °F	COP	Airflow CFM	TC Mbtu/h	SC Mbtu/h	S/T Ratio	Power kW	HR Mbtu/h	EER
20	12.0	3.3	7.6	Operation not recommended						Operation not recommended						
	15.0	4.7	10.8	Operation not recommended						Operation not recommended						
	18.0	6.2	14.3	1750	48.9	4.22	34.5	95.9	3.40	Operation not recommended						
				2100	50.7	4.49	35.4	92.4	3.31	Operation not recommended						
30	12.0	3.2	7.4	Operation not recommended						Operation not recommended						
	15.0	4.5	10.5	1750	55.9	4.35	41.1	99.6	3.76	1750	65.8	46.2	0.70	2.84	75.5	23.1
				2100	57.9	4.63	42.1	95.5	3.66	2100	66.9	50.5	0.75	3.00	77.1	22.3
	18.0	6.0	13.9	1750	56.4	4.40	41.4	99.8	3.76	1750	66.1	46.2	0.70	2.76	75.6	24.0
				2100	58.5	4.68	42.5	95.8	3.66	2100	67.8	50.5	0.75	2.90	77.6	23.4
40	12.0	3.1	7.1	Operation not recommended						Operation not recommended						
	15.0	4.4	10.2	1750	63.5	4.57	47.9	103.6	4.08	1750	68.9	48.2	0.70	3.21	79.9	21.5
				2100	65.7	4.78	49.4	99.0	4.03	2100	70.2	52.6	0.75	3.37	81.7	20.9
	18.0	5.8	13.5	1750	64.4	4.62	48.7	104.1	4.09	1750	69.5	48.2	0.69	3.12	80.1	22.3
				2100	66.6	4.83	50.2	99.4	4.05	2100	71.0	52.6	0.74	3.26	82.1	21.8
50	12.0	3.0	6.9	1750	67.4	4.68	51.4	105.6	4.22	1750	71.4	49.3	0.69	3.53	83.4	20.2
				2100	69.6	4.85	53.1	100.7	4.21	2100	72.9	53.6	0.74	3.75	85.7	19.4
	15.0	4.3	9.9	1750	71.2	4.77	54.9	107.6	4.37	1750	72.1	49.8	0.69	3.46	83.9	20.9
				2100	73.5	4.93	56.7	102.4	4.37	2100	73.5	54.2	0.74	3.68	86.1	20.0
	18.0	5.7	13.1	1750	72.4	4.83	56.0	108.3	4.40	1750	72.9	50.8	0.70	3.40	84.5	21.4
2100				74.8	4.98	57.8	103.0	4.41	2100	74.3	54.7	0.74	3.62	86.7	20.5	
60	12.0	2.9	6.7	1750	75.0	4.96	58.1	109.7	4.43	1750	70.2	48.7	0.69	3.82	83.2	18.4
				2100	77.5	5.06	60.2	104.2	4.49	2100	71.7	52.6	0.73	4.06	85.5	17.7
	15.0	4.1	9.6	1750	78.3	5.05	61.1	111.4	4.55	1750	70.9	49.2	0.69	3.74	83.7	19.0
				2100	80.9	5.13	63.4	105.7	4.62	2100	72.3	53.2	0.74	3.97	85.9	18.2
	18.0	5.5	12.7	1750	80.1	5.11	62.7	112.4	4.60	1750	71.7	50.0	0.70	3.67	84.2	19.5
2100				82.7	5.18	65.1	106.5	4.68	2100	73.1	53.8	0.74	3.91	86.4	18.7	
70	12.0	2.8	6.5	1750	82.6	5.23	64.8	113.7	4.63	1750	69.0	48.1	0.70	4.10	83.0	16.8
				2100	85.2	5.27	67.3	107.6	4.74	2100	70.5	51.7	0.73	4.36	85.3	16.2
	15.0	4.0	9.2	1750	85.5	5.32	67.4	115.3	4.72	1750	69.7	48.6	0.70	4.01	83.4	17.4
				2100	88.3	5.33	70.1	108.9	4.86	2100	71.1	52.2	0.73	4.26	85.7	16.7
	18.0	5.3	12.2	1750	87.8	5.38	69.4	116.4	4.78	1750	70.5	49.1	0.70	3.94	83.9	17.9
2100				90.7	5.38	72.3	110.0	4.94	2100	71.9	52.8	0.73	4.20	86.2	17.1	
80	12.0	2.7	6.3	1750	91.3	5.57	72.4	118.3	4.81	1750	66.0	46.4	0.70	4.50	81.3	14.7
				2100	94.3	5.52	75.5	111.6	5.00	2100	67.4	50.2	0.74	4.79	83.7	14.1
	15.0	3.9	8.9	1750	93.5	5.64	74.3	119.5	4.86	1750	66.6	46.9	0.70	4.41	81.7	15.1
				2100	96.5	5.57	77.5	112.5	5.08	2100	68.0	50.6	0.74	4.69	84.0	14.5
	18.0	5.1	11.8	1750	96.3	5.71	76.9	121.0	4.94	1750	67.4	47.6	0.71	4.33	82.1	15.6
2100				99.5	5.63	80.4	113.9	5.19	2100	68.7	51.2	0.74	4.61	84.5	14.9	
90	12.0	2.6	6.0	1750	100.1	5.90	79.9	122.9	4.97	1750	63.0	44.8	0.71	4.90	79.7	12.8
				2100	103.3	5.78	83.6	115.6	5.24	2100	64.3	48.6	0.76	5.22	82.1	12.3
	15.0	3.7	8.6	1750	101.5	5.96	81.1	123.7	4.99	1750	63.6	45.2	0.71	4.80	79.9	13.2
				2100	104.7	5.80	84.9	116.2	5.29	2100	64.9	49.1	0.76	5.11	82.3	12.7
	18.0	4.9	11.4	1750	104.9	6.04	84.3	125.5	5.09	1750	64.3	46.1	0.72	4.72	80.4	13.6
2100				108.4	5.87	88.4	117.8	5.42	2100	65.6	49.6	0.76	5.03	82.7	13.0	
100	12.0	2.5	5.8	Operation not recommended						Operation not recommended						
	15.0	3.6	8.3	Operation not recommended						1750	59.6	43.1	0.72	5.34	77.8	11.1
				2100	60.8	46.6	0.77	5.69	80.2	10.7						
	18.0	4.8	11.0	Operation not recommended						1750	60.2	43.7	0.73	5.25	78.1	11.5
2100				61.4	47.0	0.77	5.59	80.5	11.0							
110	12.0	2.4	5.6	Operation not recommended						Operation not recommended						
	15.0	3.5	8.0	Operation not recommended						1750	55.6	41.0	0.74	5.89	75.6	9.4
				2100	56.7	44.1	0.78	6.27	78.1	9.0						
	18.0	4.6	10.6	Operation not recommended						1750	56.2	41.4	0.74	5.79	75.9	9.7
2100				57.3	44.5	0.78	6.15	78.3	9.3							
120	12.0	2.3	5.4	Operation not recommended						Operation not recommended						
	15.0	3.3	7.7	Operation not recommended						1750	50.5	38.1	0.75	6.88	74.0	7.3
				2100	51.4	41.3	0.80	7.06	75.5	7.3						
	18.0	4.4	10.2	Operation not recommended						1750	51.0	38.1	0.75	6.66	73.7	7.7
2100				52.0	41.3	0.79	6.87	75.5	7.6							

7/29/17 ADL

WaterFurnace works continually to improve its products. As a result, the design and specifications of each product at the time of order may be changed without notice. Please contact WaterFurnace at 1-888-929-2837 for latest design and specifications. Purchaser's approval of this data set signifies that the equipment is acceptable under the provisions of the job specification. Statements and other information contained herein are not express warranties and do not form the basis of any bargain between the parties, but are merely WaterFurnace's opinion or commendation of its products. The latest version of this document is available at www.waterfurnace.com.

Contractor: _____ P.O.: _____
 Engineer: _____
 Project Name: _____ Unit Tag: _____

**5 SERIES 506A11
 OUTDOOR PACKAGED HEAT PUMP**

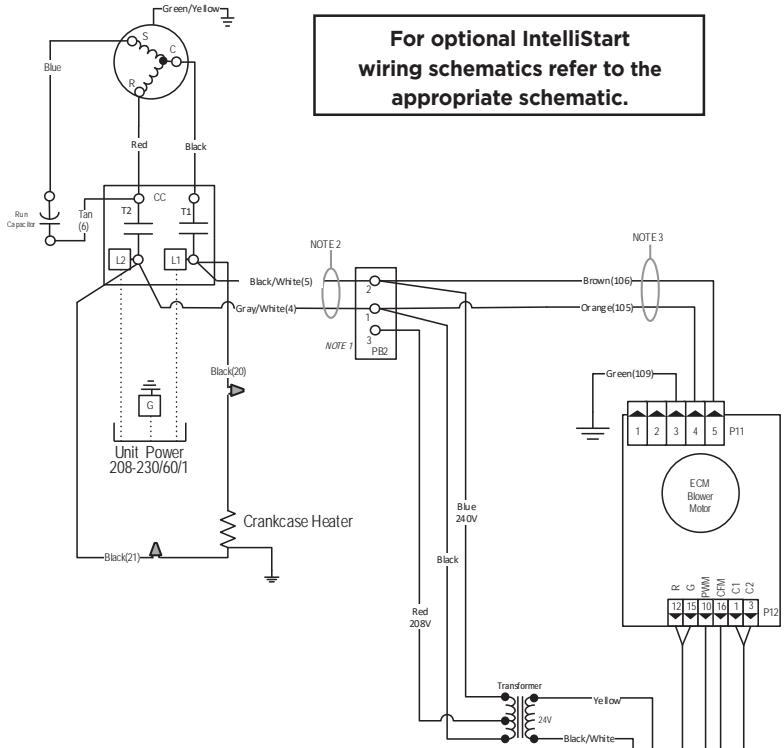


Wiring Schematics

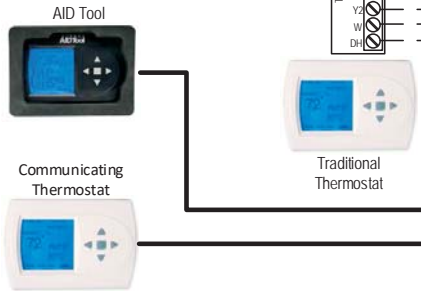
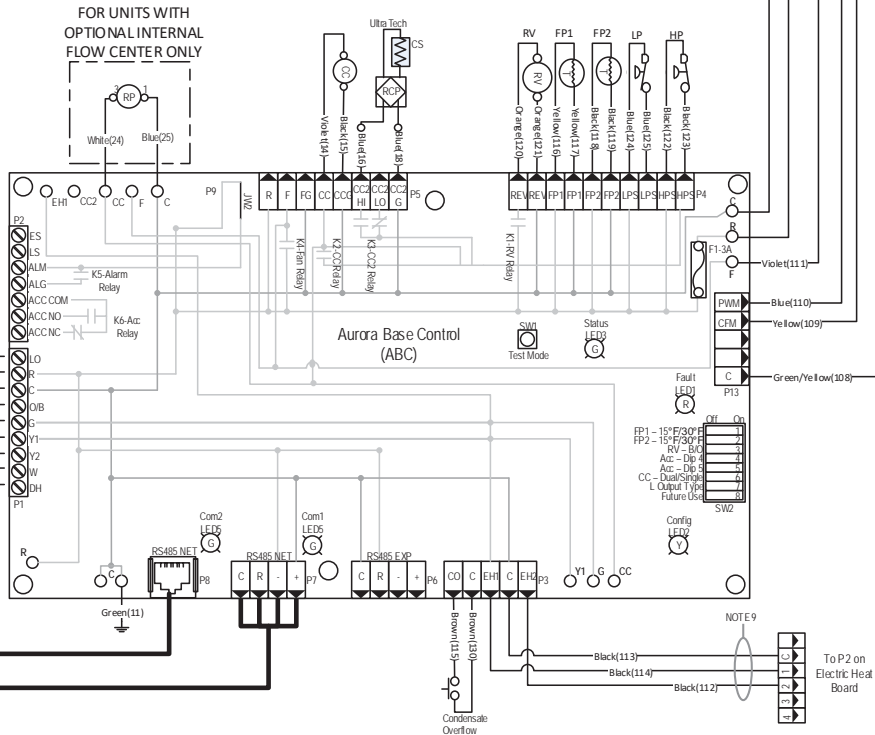
Aurora Base Controls with ECM and IntelliStart

For optional Flow Center and Water Valve wiring schematics refer to the appropriate schematic.

For optional IntelliStart wiring schematics refer to the appropriate schematic.



FOR UNITS WITH
 OPTIONAL INTERNAL
 FLOW CENTER ONLY



WaterFurnace works continually to improve its products. As a result, the design and specifications of each product at the time of order may be changed without notice. Please contact WaterFurnace at 1-888-929-2837 for latest design and specifications. Purchaser's approval of this data set signifies that the equipment is acceptable under the provisions of the job specification. Statements and other information contained herein are not express warranties and do not form the basis of any bargain between the parties, but are merely WaterFurnace's opinion or commendation of its products. The latest version of this document is available at www.waterfurnace.com.

Contractor: _____ P.O.: _____

Engineer: _____

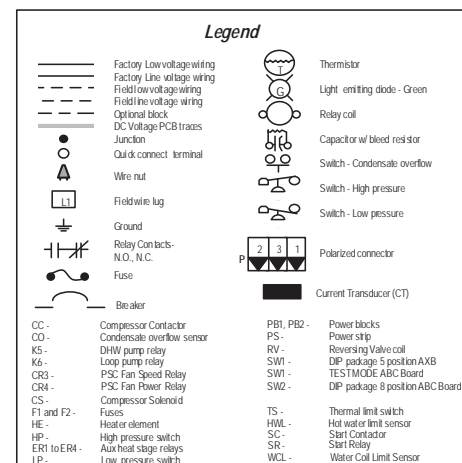
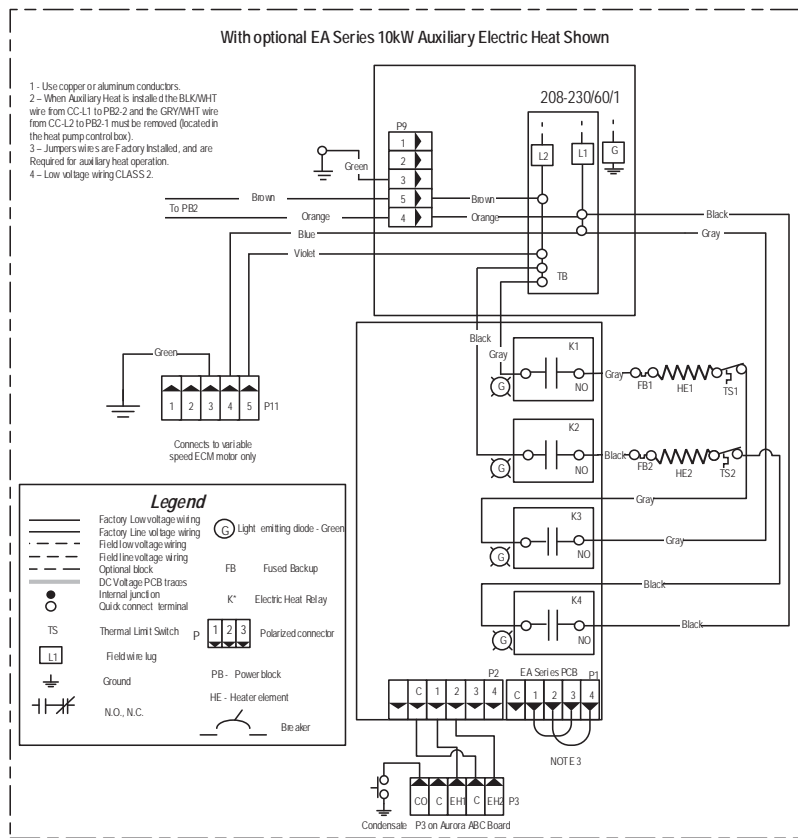
Project Name: _____ Unit Tag: _____

5 SERIES 506A11 OUTDOOR PACKAGED HEAT PUMP



Wiring Schematics cont.

Aurora Base Controls with ECM and IntelliStart cont.



WaterFurnace works continually to improve its products. As a result, the design and specifications of each product at the time of order may be changed without notice. Please contact WaterFurnace at 1-888-929-2837 for latest design and specifications. Purchaser's approval of this data set signifies that the equipment is acceptable under the provisions of the job specification. Statements and other information contained herein are not express warranties and do not form the basis of any bargain between the parties, but are merely WaterFurnace's opinion or commendation of its products. The latest version of this document is available at www.waterfurnace.com.

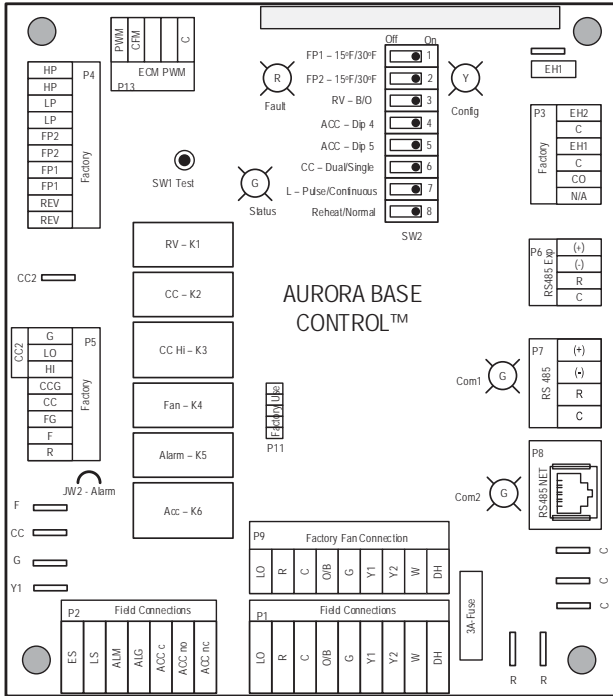
Contractor: _____ P.O.: _____
 Engineer: _____
 Project Name: _____ Unit Tag: _____

**5 SERIES 506A11
 OUTDOOR PACKAGED HEAT PUMP**



Wiring Schematics cont.

Aurora Base Controls with ECM and IntelliStart



ABC SW2 Accessory Relay		
DESCRIPTION	SW2-4	SW2-5
Cycle with Blower	ON	ON
Cycle with Compressor	OFF	OFF
Water Valve Slow Opening	ON	OFF
Cycle with Comm. T-stat Hum Cmd	OFF	ON

Aurora LED Flash Codes			
Slow Flash	1 second on and 1 second off		
Fast Flash	100 milliseconds on and 100 milliseconds off		
Flash Code	100 milliseconds on and 400 milliseconds off with a 2 second pause before repeating		
Random Start Delay (Alternating Colors)		Configuration LED (LED2, Yellow)	
Status LED (LED1, Green)	Fast Flash	No Software Override	OFF
Configuration LED (LED2, Yellow)	Fast Flash	DIP Switch Override	Slow Flash
Fault LED (LED3, Red)	Fast Flash		
Fault LED (LED1, Red)		Status LED (LED3, Green)	
Normal Mode	OFF	Normal Mode	ON
Input Fault Lockout	Flash Code 1	Control is Non-Functional	OFF
High Pressure Lockout	Flash Code 2	Test Mode	Slow Flash
Low Pressure Lockout	Flash Code 3	Lockout Active	Fast Flash
Future Use	Flash Code 4	Dehumidification Mode	Flash Code 2
Freeze Detection - FP1	Flash Code 5	Future Use	Flash Code 3
Reserved	Flash Code 6	Future Use	Flash Code 4
Condensate Overflow Lockout	Flash Code 7	Load Shed	Flash Code 5
Over/Under Voltage Shutdown	Flash Code 8	ESD	Flash Code 6
Future Use	Flash Code 9	Future Use	Flash Code 7
Future Use	Flash Code 10		
FP1 and FP2 Sensor Error	Flash Code 11		

- Notes**
- 1 - Switch blue and red wires for 208V operation.
 - 2 - The blk/wh and gray/wh wires are removed when Aux Heat is installed
 - 3 - When Auxiliary Heat is field installed the harness will then be connected to the auxiliary heat unit. The auxiliary heat unit will then power the blower. Refer to EAS/EAM/EAL Auxiliary Heat kit installation instructions.
 - 4 - Low voltage wiring CLASS 2.
 - 5 - Brown blower power wire routed through Current Transducer two times.
 - 6 - Field Connected: Refer to Installation Manual and Auxiliary Heat Instructions for Current Transducer installation.
 - 7 - Wires provided for Auxiliary Heat low voltage control Wires are secured at blower.

WaterFurnace works continually to improve its products. As a result, the design and specifications of each product at the time of order may be changed without notice. Please contact WaterFurnace at 1-888-929-2837 for latest design and specifications. Purchaser's approval of this data set signifies that the equipment is acceptable under the provisions of the job specification. Statements and other information contained herein are not express warranties and do not form the basis of any bargain between the parties, but are merely WaterFurnace's opinion or commendation of its products. The latest version of this document is available at www.waterfurnace.com.

Contractor: _____ P.O.: _____

Engineer: _____

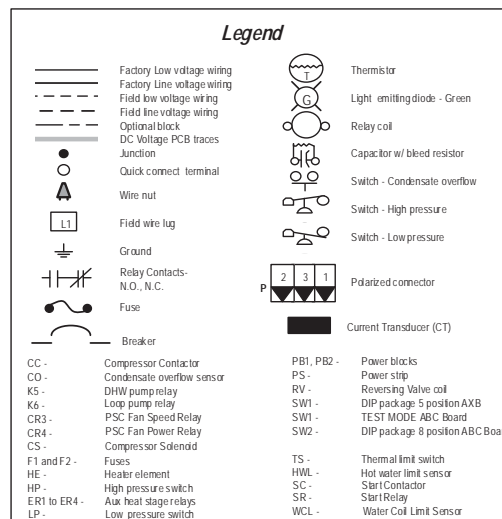
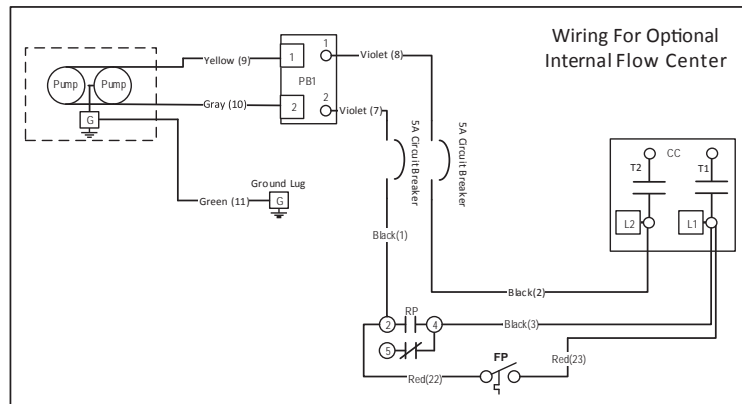
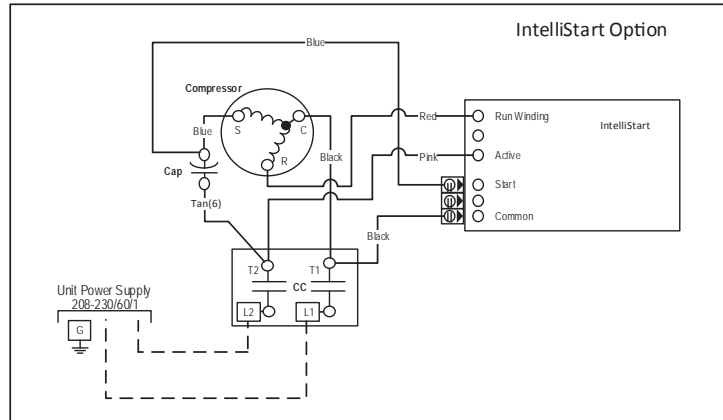
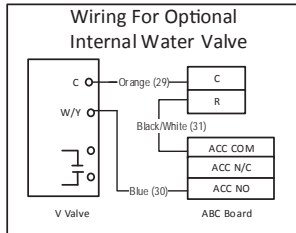
Project Name: _____ Unit Tag: _____

**5 SERIES 506A11
OUTDOOR PACKAGED HEAT PUMP**



Wiring Schematics cont.

Aurora Base Controls with ECM and IntelliStart



WaterFurnace works continually to improve its products. As a result, the design and specifications of each product at the time of order may be changed without notice. Please contact WaterFurnace at 1-888-929-2837 for latest design and specifications. Purchaser's approval of this data set signifies that the equipment is acceptable under the provisions of the job specification. Statements and other information contained herein are not express warranties and do not form the basis of any bargain between the parties, but are merely WaterFurnace's opinion or commendation of its products. The latest version of this document is available at www.waterfurnace.com.

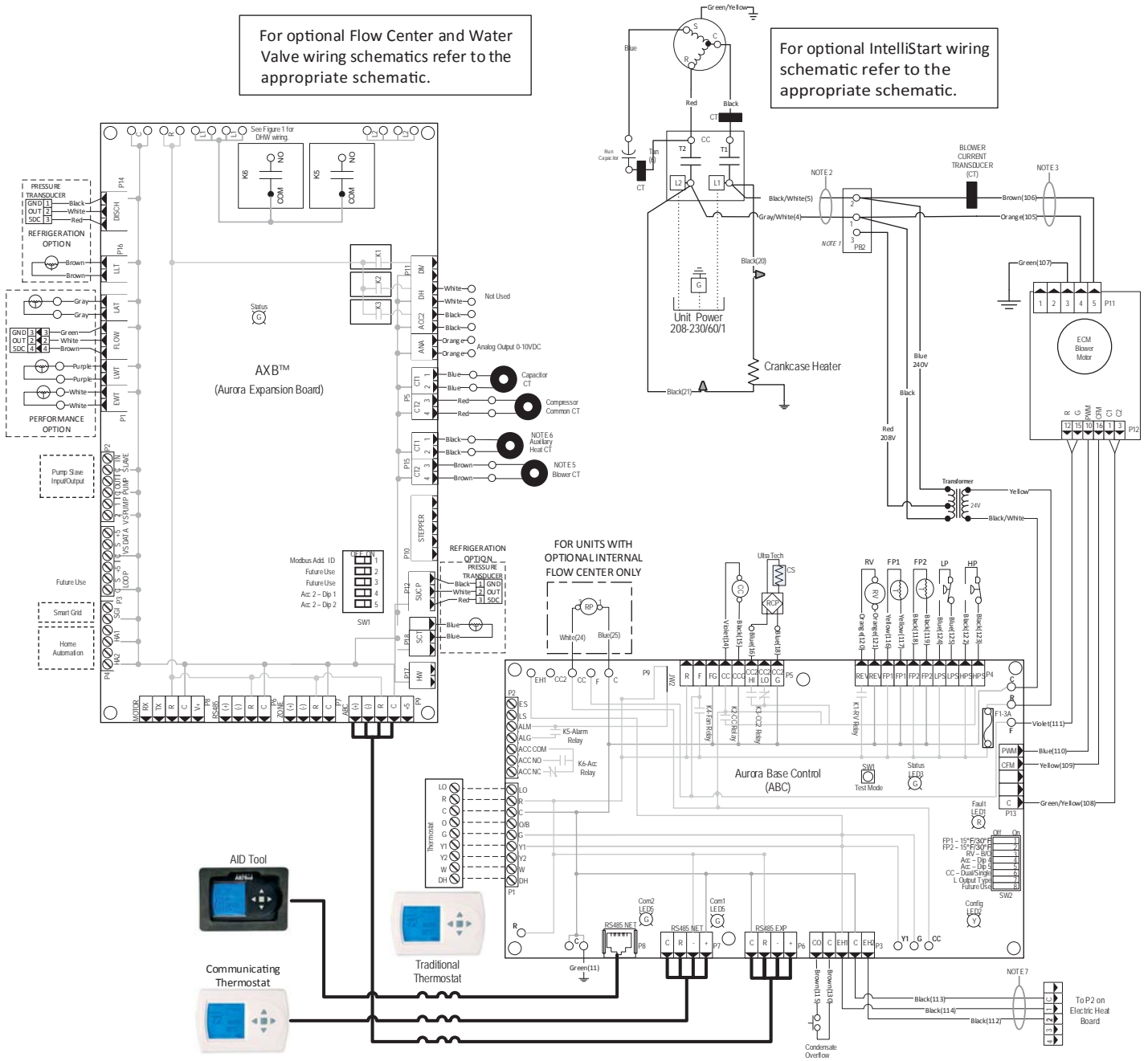
Contractor: _____ P.O.: _____
 Engineer: _____
 Project Name: _____ Unit Tag: _____

**5 SERIES 506A11
 OUTDOOR PACKAGED HEAT PUMP**



Wiring Schematics cont.

Aurora Advanced Controls with ECM and IntelliStart



WaterFurnace works continually to improve its products. As a result, the design and specifications of each product at the time of order may be changed without notice. Please contact WaterFurnace at 1-888-929-2837 for latest design and specifications. Purchaser's approval of this data set signifies that the equipment is acceptable under the provisions of the job specification. Statements and other information contained herein are not express warranties and do not form the basis of any bargain between the parties, but are merely WaterFurnace's opinion or commendation of its products. The latest version of this document is available at www.waterfurnace.com.

Contractor: _____ P.O.: _____

Engineer: _____

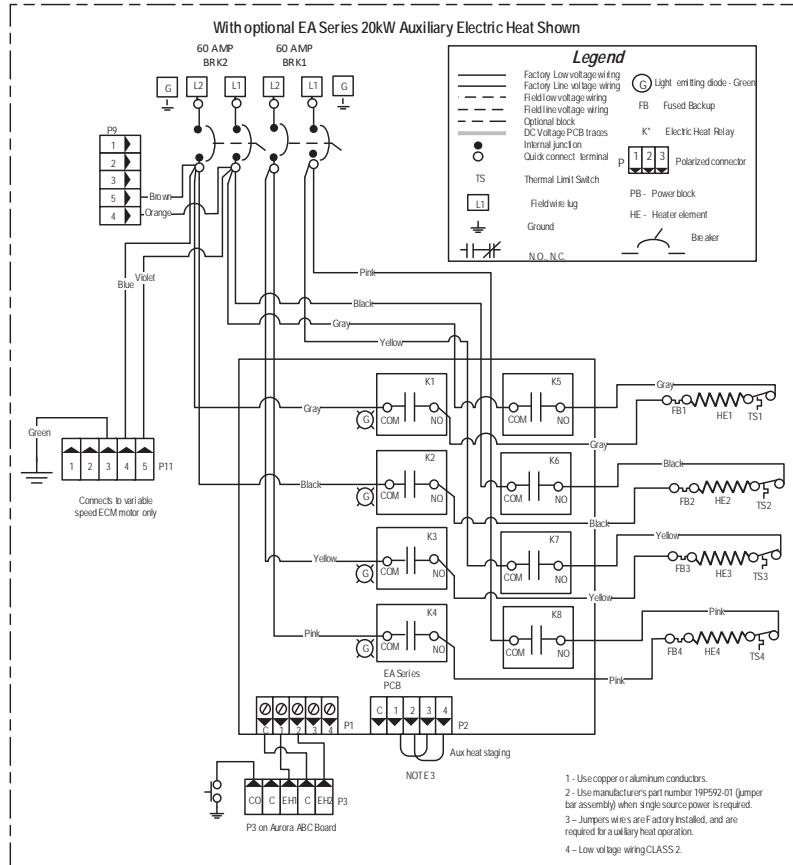
Project Name: _____ Unit Tag: _____

5 SERIES 506A11 OUTDOOR PACKAGED HEAT PUMP



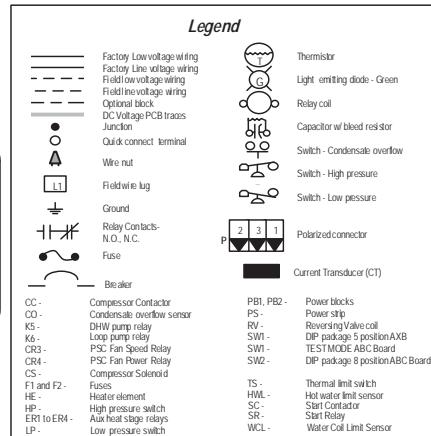
Wiring Schematics

Aurora Advanced Controls with ECM and IntelliStart cont.



Notes

- 1 - Switch blue and red wires for 208V operation.
- 2 - The blk/wh and gray/wh wires are removed when Aux Heat is installed
- 3 - When Auxiliary Heat is installed the harness will then be connected to the auxiliary heat unit. The auxiliary heat unit will then power the blower. Refer to EA5/EAMEAL Auxiliary Heat kit installation instructions
- 4 - Low voltage wiring CLASS 2.
- 5 - Brown blower power wire routed through Current Transducer two times.
- 6 - Field Connected: Refer to Installation Manual and Auxiliary Heat Instructions for Current Transducer installation.
- 7 - Wires provided for Auxiliary Heat low voltage control. Wires are secured at blower.



WaterFurnace works continually to improve its products. As a result, the design and specifications of each product at the time of order may be changed without notice. Please contact WaterFurnace at 1-888-929-2837 for latest design and specifications. Purchaser's approval of this data set signifies that the equipment is acceptable under the provisions of the job specification. Statements and other information contained herein are not express warranties and do not form the basis of any bargain between the parties, but are merely WaterFurnace's opinion or commendation of its products. The latest version of this document is available at www.waterfurnace.com.

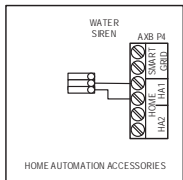
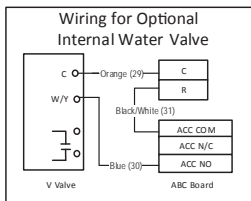
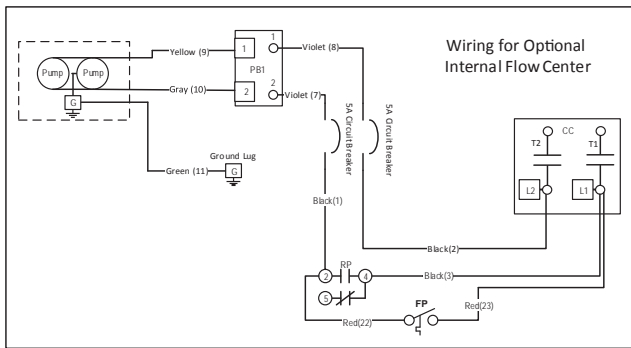
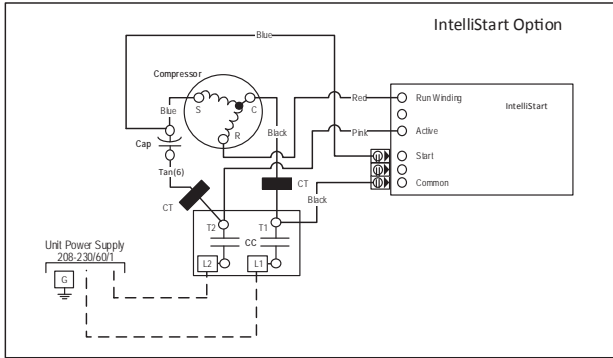
Contractor: _____ P.O.: _____
 Engineer: _____
 Project Name: _____ Unit Tag: _____

**5 SERIES 506A11
 OUTDOOR PACKAGED HEAT PUMP**



Wiring Schematics cont.

Aurora Advanced with ECM and IntelliStart cont.



Legend

	Factory Low voltage wiring		Thermistor
	Factory Line voltage wiring		Light emitting diode - Green
	Field low voltage wiring		Relay coil
	Field line voltage wiring		Capacitor w/ bleed resistor
	Optional block		Switch - Condensate overflow
	DC Voltage PCB traces		Switch - High pressure
	Junction		Switch - Low pressure
	Quick connect terminal		Polarized connector
	Wire nut		Current Transducer (CT)
	Field wire lug		
	Ground		
	Relay Contacts - N.O., N.C.		
	Fuse		
	Breaker		

CC -	Compressor Contactor	PB1, PB2 -	Power blocks
CO -	Condensate overflow sensor	PS -	Power strip
K5 -	DHW pump relay	RV -	Reversing Valve coil
K6 -	Loop pump relay	SW1 -	DIP package 5 position AXB
CR3 -	PSC Fan Speed Relay	SW1 -	TEST MODE ABC Board
CR4 -	PSC Fan Power Relay	SW2 -	DIP package 6 position ABC Board
CS -	Compressor Selenoid		
F1 and F2 -	Fuses	TS -	Thermal limit switch
HE -	Heater element	HML -	High limit sensor
HP -	High pressure switch	SC -	Start Contactor
ER1 to ER4 -	Aux heat stage relays	SR -	Start Relay
LP -	Low pressure switch	WCL -	Water Coil Limit Sensor

WaterFurnace works continually to improve its products. As a result, the design and specifications of each product at the time of order may be changed without notice. Please contact WaterFurnace at 1-888-929-2837 for latest design and specifications. Purchaser's approval of this data set signifies that the equipment is acceptable under the provisions of the job specification. Statements and other information contained herein are not express warranties and do not form the basis of any bargain between the parties, but are merely WaterFurnace's opinion or commendation of its products. The latest version of this document is available at www.waterfurnace.com.



Contractor: _____ P.O.: _____

Engineer: _____

Project Name: _____ Unit Tag: _____

Engineering Guide Specifications

General

Furnish and install Water Source Heat Pumps, as indicated on the plans. Equipment shall be completely assembled, piped and internally wired. Capacities and characteristics as listed in the schedule and the specifications that follow. The reverse cycle heating/cooling units shall be either side or bottom air inlet and discharge for pad or roof mounting. Units shall be AHRI/ISO 13256-1 certified and listed by a nationally recognized safety-testing laboratory or agency, such as ETL Testing Laboratory. Each unit shall be computer run-tested at the factory with conditioned water and operation verified to catalog data. Each unit shall be mounted on a pallet and shipped stretch-wrapped. The units shall be designed to operate with entering liquid temperature between 20°F and 120°F [-6.7°C and 48.9°C].

Casing and Cabinet

The cabinet is constructed of a super durable polyester powder coat paint on G60 galvanized heavy gauge sheet metal which is certified for: 750 hour certified ASTM B117 salt spray, 80 cycles of SAE-J2334 cyclical salt spray, >336 hours. ASTM G154 UVB rating. The interior shall be insulated with 1-inch thick, multi-density, cleanable aluminum foil coated glass fiber with edges sealed or tucked under flanges to prevent the introduction of glass fibers into the discharge air or 1" closed cell foam. Standard cabinet panel insulation must meet NFPA 90A requirements, air erosion and mold growth limits of UL-181, stringent fungal resistance test per ASTM-C1071 and ASTM G21, and shall meet zero level bacteria growth per ASTM G22. Unit insulation must meet these stringent requirements or unit(s) will not be accepted.

One blower, one return air, and two compressor compartment access panels shall be 'lift-out' removable with supply and return ductwork in place. The front access panels shall be lift-out to provide easy access to the electrical/compressor section. The control box shall be removable to allow easy access to the compressor. The internal component layout shall provide for service access from the front side for restricted installations.

A duct collar shall be provided for field installation on the supply and return air openings. All units shall have an insulated divider panel between the air handling section and the compressor section to minimize the transmission of compressor noise and to permit operational service testing without air bypass.

The compressor shall be double isolation mounted using selected durometer grommets to provide vibration free compressor mounting.

The drain pan shall be of plastic construction to inhibit corrosion and bacterial growth. Drain outlet shall be located on pan as to allow complete and unobstructed drainage of condensate. The unit as standard will be supplied with solid-state electronic condensate overflow protection. Mechanical float switches WILL NOT be accepted. All units shall be furnished with a PVC stub condensate drain connection.

Refrigerant Circuit

All units shall contain a sealed refrigerant circuit including a hermetic motor-compressor, discharge line muffler, bidirectional thermostatic expansion valve, finned tube air-to-refrigerant heat exchanger, reversing valve, coaxial tube water-to-refrigerant heat exchanger, and service ports.

Compressors shall be high-efficiency dual capacity scroll type designed for heat pump duty and mounted on vibration isolators. Compressor motors shall be single-phase PSC with overload protection. The finned tube air-to-refrigerant heat exchanger will be aluminum tube/aluminum fin and shall be sized for low-face velocity and constructed of lanced aluminum fins bonded to performance enhanced tubes in a staggered pattern not less than three rows deep for superior performance. The aluminum tube and fin air-to-refrigerant heat exchanger has as optional to be electro-coated with AlumiSeal. All models shall include discharge mufflers to help quiet compressor discharge gas pulsations. Refrigerant to air heat exchangers shall utilize enhanced tube construction rated to withstand 600 psig (4135 kPa) refrigerant working pressure.

The coaxial water-to-refrigerant heat exchanger shall be designed for low water pressure drop and constructed of a convoluted copper (cupronickel option) inner tube and a steel outer tube. Refrigerant to water heat exchangers shall be of copper inner water tube and steel refrigerant outer tube design, rated to withstand 600 psig (4135 kPa) working refrigerant pressure and 450 psig (3101 kPa) working water pressure. The thermostatic expansion valve shall provide proper superheat over the entire liquid temperature range with minimal "hunting." The valve shall operate bidirectionally without the use of check valves.

All units shall have the source coaxial tube refrigerant-to-water heat exchanger coated with ThermaShield. Refrigerant suction lines shall be insulated to prevent condensation at low liquid temperatures.

Contractor: _____ P.O.: _____

Engineer: _____

Project Name: _____ Unit Tag: _____

**5 SERIES 506A11
OUTDOOR PACKAGED HEAT PUMP**



Engineering Guide Specifications cont.

Blower Motor and Assembly

The blower shall be a direct drive centrifugal type with a dynamically balanced wheel. The housing and wheel shall be designed for quiet low outlet velocity operation. The blower housing shall be removable from the unit without disconnecting the supply air ductwork for servicing of the blower motor. The blower motor shall be a variable-speed ECM type. The Variable Speed ECM blower motor shall be soft starting, shall maintain constant cfm over its operating static range, and shall provide 12 cfm settings. The blower motor shall be isolated from the housing by rubber grommets. The motor shall be permanently lubricated and have thermostatic overload protection. Variable Speed ECM motors shall be long-life ball bearing type.

Electrical

A control box shall be located within the unit compressor compartment and shall contain a 75VA transformer, 24 volt activated, 2 pole compressor contactor, circuit breakers for protecting loop pumps, terminal block for thermostat wiring, and solid-state controller for complete unit operation. Electromechanical operation WILL NOT be accepted. Units shall be name-plated for use with time delay fuses or HACR circuit breakers. Unit controls shall be 24 volt and provide heating or cooling as required by the remote thermostat/sensor. An Aurora, a microprocessor-based controller, interfaces with a multi-stage electronic thermostat to monitor and control unit operation shall be provided. The control shall provide operational sequencing, blower speed control, high and low pressure switch monitoring, freeze detection sensing, condensate overflow sensing, auxiliary heat staging, lockout mode control, loop pump control, LED status and fault indicators, fault memory, field selectable options, and accessory output. The Lockout signal output shall have a pulsed option so that DDC systems can read specific lockout conditions from the control.

The optional Aurora Advanced Control shall also feature an Energy Monitoring Package that will provide real time total power consumption, compressor monitoring, On Peak input signal for utility controlled demand programs, loop pump linking for multiple units driving a common flow center and up to two optional home automation inputs to drive dedicated alarms for sump pump, security system, and smoke/CO₂ or dirty air filter sensors. Optional Refrigerant and Performance Monitoring kits to provide real time data including refrigerant superheat and subcooling, as well as heat of extraction/rejection capacity data. The capability for communicating to advanced IntelliZone2 zoning packages with up to 4 zones (Dual Capacity), shall also be provided with complete fault and information display on the zoning MasterStat.

A detachable terminal block with screw terminals will be provided for field control wiring. All units shall have knockouts for entrance of low and line voltage wiring. The blower motor and control box shall be harness plug wired for easy removal.

An optional Aurora Interface Diagnostic (AID) Tool shall communicate with the Aurora control allowing quick and easy access to setup, monitoring, and troubleshooting of any Aurora control. The device shall include the features of ECM airflow setup, fault description and history, manual operation capability, sensor readings, timings, and other diagnostic tools.

Optional IntelliStart® (compressor Soft Starter) shall be factory installed for use in applications that require low starting amps, reduced compressor start-up noise, off-grid, and improved start-up behavior. IntelliStart shall reduce normal starting current by up to 60%.

Piping

All side water line (supply and return) connections shall be 1" FPT copper fittings fixed to the corner post, which eliminates the need for backup pipe wrenches. All bottom flow center connections shall be 1-1/4" PE fusion to GL fittings that provide a double o-ring seal. All bottom water valve options accept 1" hose. All water piping shall be insulated to prevent condensation at low liquid temperatures, the condensate connection shall be a 3/4 in. [19.1 mm] PVC pipe.

Options and Accessories Cupronickel Heat Exchanger

An optional cupronickel water-to-refrigerant heat exchanger shall be provided.

Thermostat (field-installed)

A multi-stage auto-changeover electronic digital thermostat shall be provided. The thermostat shall offer three heating and two cooling stages with precise temperature control. An OFF-HEAT-AUTO-COOL-EMERG system switch, OFF-AUTO blower switch, and indicating LEDs shall be provided. The thermostat shall display in °F or °C. The thermostat shall be either a communicating type or a traditional 24 VAC type.

Communicating Thermostat (field-installed)

A communicating auto-changeover electronic digital thermostat shall be provided. The thermostat shall offer variable speed heating and cooling staging with precise temperature control. An OFF-HEAT-AUTO-COOL-EMERG system switch, OFF-AUTO blower switch, and indicating display shall be provided. The thermostat shall display in °F or °C. The thermostat shall provide real time energy consumption data of the unit.

WaterFurnace works continually to improve its products. As a result, the design and specifications of each product at the time of order may be changed without notice. Please contact WaterFurnace at 1-888-929-2837 for latest design and specifications. Purchaser's approval of this data set signifies that the equipment is acceptable under the provisions of the job specification. Statements and other information contained herein are not express warranties and do not form the basis of any bargain between the parties, but are merely WaterFurnace's opinion or commendation of its products. The latest version of this document is available at www.waterfurnace.com.

Contractor: _____ P.O.: _____

Engineer: _____

Project Name: _____ Unit Tag: _____

**5 SERIES 506A11
OUTDOOR PACKAGED HEAT PUMP**



Engineering Guide Specifications cont.

Communicating Color Touchscreen Thermostat (field-installed)

A color touchscreen communicating auto-changeover electronic digital thermostat shall be provided. The thermostat shall offer variable speed heating and cooling staging with precise temperature control. An OFF-HEAT-AUTO-COOL-EMERG system switch, OFF-AUTO blower switch, and indicating display shall be provided. The thermostat shall display in °F or °C. The thermostat shall provide real time and historical energy consumption data of the unit.

AlpinePure Drain Pan Treatment

Provides dependable, sustained time-release protection from slime build-up and foul smelling odors in the drain pan. Also adds a light, pleasant scent to the air.

Earth Loop Flow Center

A self-contained module shall provide all liquid flow, fill and connection requirements for ground source closed loop systems up to 20 gpm. The pumps shall be wired to a power block located in the nearest unit. The heat pump units shall contain low voltage pump linking control so that two units may share one flow center.

Auxiliary Heater (factory or field-installed)

An electric resistance heater shall provide supplemental and/or emergency heating capability. Units shall have the control panel and resistance heater coil assembly mounted internally. A low voltage plug shall be provided in each unit for quick auxiliary heat connection. The heater shall operate in sequenced stages as controlled by the unit's microprocessor. The heater shall feed line voltage power to the unit blower and transformer to provide emergency heat capability in the event of an open compressor circuit breaker.

Symphony/Aurora Weblink

Symphony is a Wi-Fi enabled smart comfort system for your geothermal heat pump that is unsurpassed in its ease of use, feature set and capability. Symphony marries the sophisticated Aurora controls of your WaterFurnace Geothermal System with a web enabled Aurora Weblink Router giving you access to your comfort geothermal heat pump from practically anywhere. Symphony is cloud-based and includes your whole geothermal system and isn't limited to just the thermostat as in other 'smart thermostat' systems. Symphony web-portal provides control over every aspect of your geothermal heat pump including:

- View your geothermal system's operation from anywhere. Great for vacation or second homes.
- Dashboard for quick review of operation, alerts and energy use (if installed).
- Smart Device capability
- Modify your zone temperature setpoints and programs remotely
- IntelliZone2 zoning system compatible to access up to 6 zone thermostats with variable speed, 4 zones with dual capacity, and 2 zones with single speed geothermal heat pumps.
- Observe and track WaterFurnace energy use for the last 13 months (if installed).
- Receive equipment alerts and service reminders (as well as your dealer) via email and texts
- Monitor earth loop and air temperature of your geothermal heat pump directly (if installed).
- Utilize a 'wireless' thermostat system with no visible thermostats using a smart device. By mounting a communicating thermostat in a closet with external mud-in sensor located in the living space, a smart device can be used as a wireless thermostat for the ultimate in flexibility (TPCC32U01, TPCM32U03A, TPCM32U04A, or MasterStat only)
- Optional Add-on sensor for sump pump alarm. If a sump pump overflows you will receive a text or email.

External Sump Alarm Sensors for Aurora Controls

The sensor can be added to any Aurora Advanced Control System (including both ABC and AXB) to monitor a sump pump. The sensor can be connected to the Aurora Home Automation inputs (HA-1 or HA-2) of the AXB board. These will each display an E23 and E24 code respectively when the alarm is active and when Symphony/AWL is installed will also produce text/e-mail notifications.

- This sensor provides a relay closure that can be used to trip a fault when moisture is present. This can be used as a primary sump alarm or simply a wet basement or signal a blown washing machine hose.

WaterFurnace works continually to improve its products. As a result, the design and specifications of each product at the time of order may be changed without notice. Please contact WaterFurnace at 1-888-929-2837 for latest design and specifications. Purchaser's approval of this data set signifies that the equipment is acceptable under the provisions of the job specification. Statements and other information contained herein are not express warranties and do not form the basis of any bargain between the parties, but are merely WaterFurnace's opinion or commendation of its products. The latest version of this document is available at www.waterfurnace.com.

Contractor: _____ P.O.: _____

Engineer: _____

Project Name: _____ Unit Tag: _____

**5 SERIES 506A11
OUTDOOR PACKAGED HEAT PUMP**



Revision Guide

Pages:	Description:	Date:	By:
All	Document Created	23 Nov 2017	JM/MA